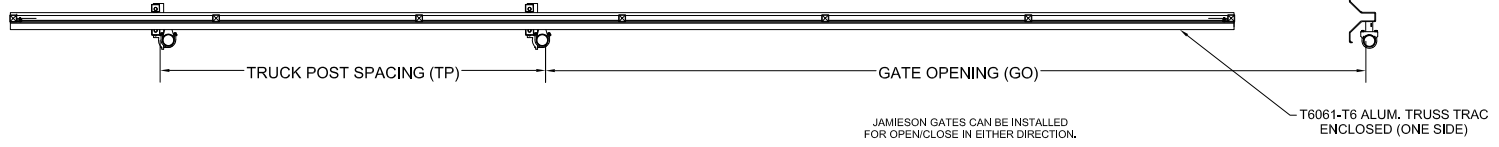


**OWNERSHIP OF DOCUMENTS:**

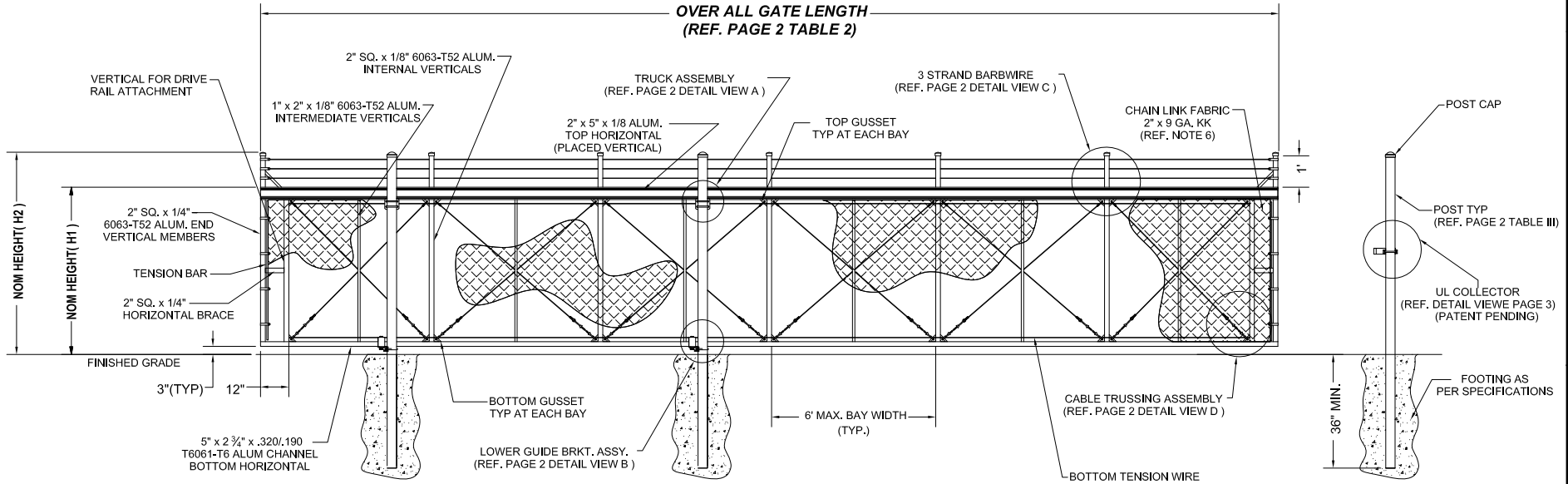
THIS DOCUMENT AND THE IDEAS AND DESIGNS INCORPORATED HEREIN, AS AN INSTRUMENT OF PROFESSIONAL SERVICE, IS THE PROPERTY OF JAMIESON MANUFACTURING CO. AND IS NOT TO BE USED IN WHOLE OR IN PART, FOR ANY OTHER PROJECT WITHOUT THE WRITTEN AUTHORIZATION OF JAMIESON MANUFACTURING CO.

LEGEND		
SHT	DESCRIPTION	LAYER
1	ELEVATION VIEW	SHT 1
2	END & ISO VIEW	SHT 2

**GATE PLAN**



**OVER ALL GATE LENGTH (REF. PAGE 2 TABLE 2)**



**GATE ELEVATION**  
(CHAIN LINK OPTION SHOWN, FOR ORNAMENTAL FILLER MATLS. PLEASE CONTACT YOUR JAMIESON DEALER)

TO PLACE ORDER PLEASE COMPLETE THE TABLES BELOW:

CUSTOMER GATE CRITERIA (PLEASE SEE PAGE 2 TABLE 1)				
NOM HEIGHT (H1)	NOM HEIGHT (H2)	GATE OPENING (GO)	TRUCK POST SPACING (TP)	OVER ALL GATE LENGTH

OPTIONAL GATE CRITERIA		
COLOR	FILLER	AUTOMATED

**NOTES:**

1. FRAME MATERIAL GRADE AS PER WRITTEN SPECIFICATIONS
2. POSTS AVAILABLE AS OPTION (REF. PG. 2)
3. SPECIFY POST SIZE & TYPE AT TIME OF ORDER FOR APPROPRIATE HARDWARE. (REF. PG. 2)
4. SPECIFICATIONS SHOWN CAN BE CHANGED BY THE MANUFACTUER ONLY.
5. ALL MATERIAL SHOWN SHALL BE NEW ALUMINUM UNLESS OTHERWISE NOTED.
6. 2" x 9 GA. GALVANIZED CHAINLINK FABRIC TO COVER THE ENTIRE LENGTH OF GATE. OPTIONAL FILLER MATERIALS AVAILABLE UPON REQUEST.



DRAWN	J. HARVEY	11/18/2013
CHECKED	JK	11/18/2013
APPROVED		
SHEET	1 OF 2	

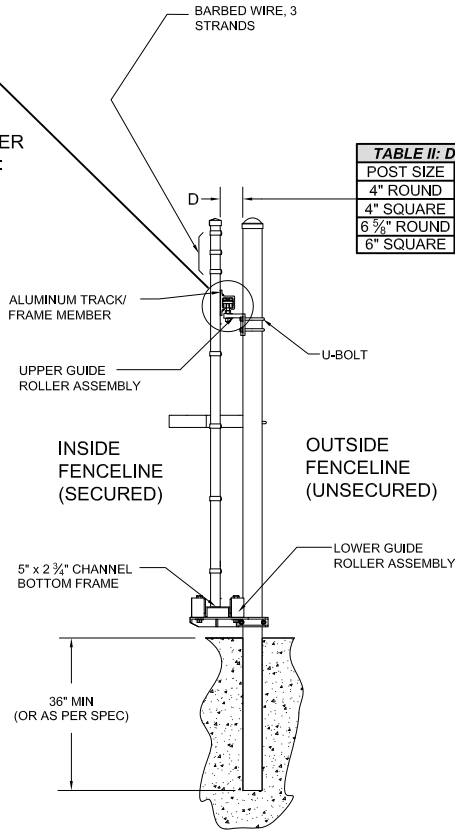
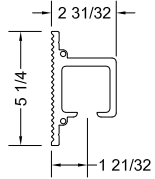
JAMIESON MANUFACTURING CO.  
4221 PLATINUM WAY, DALLAS, TX 75237  
PH: (713) 434-7907 / (888) 286-3362  
email: gates@jamiesonfence.com www.jamiesonfence.com

TITLE  
**TrusTrac™ Series 3000  
SINGLE TRACK ALUMINUM CANTILEVER SLIDE GATES  
HEAVY INDUSTRIAL CONSTRUCTION  
CHAIN LINK OPTION**

SIZE	SCALE	DWG NO	REV
A		T3000_D	F

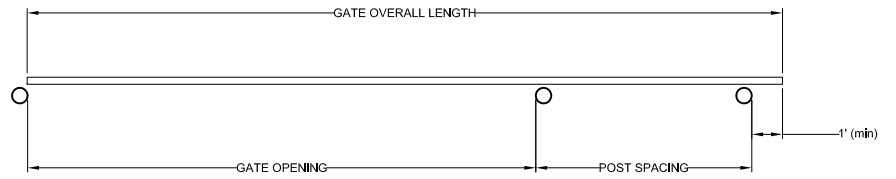
**OWNERSHIP OF DOCUMENTS:**  
 THIS DOCUMENT AND THE IDEAS AND DESIGNS INCORPORATED HEREIN, AS AN INSTRUMENT OF PROFESSIONAL SERVICE, IS THE PROPERTY OF JAMIESON MANUFACTURING CO. AND IS NOT TO BE USED IN WHOLE OR IN PART, FOR ANY OTHER PROJECT WITHOUT THE WRITTEN AUTHORIZATION OF JAMIESON MANUFACTURING CO.

6061-T6 ALUMINUM CANTILEVER TRUSTRACK  
 WT. PER FOOT:  
 4.817 LB/ LINEAR FT.

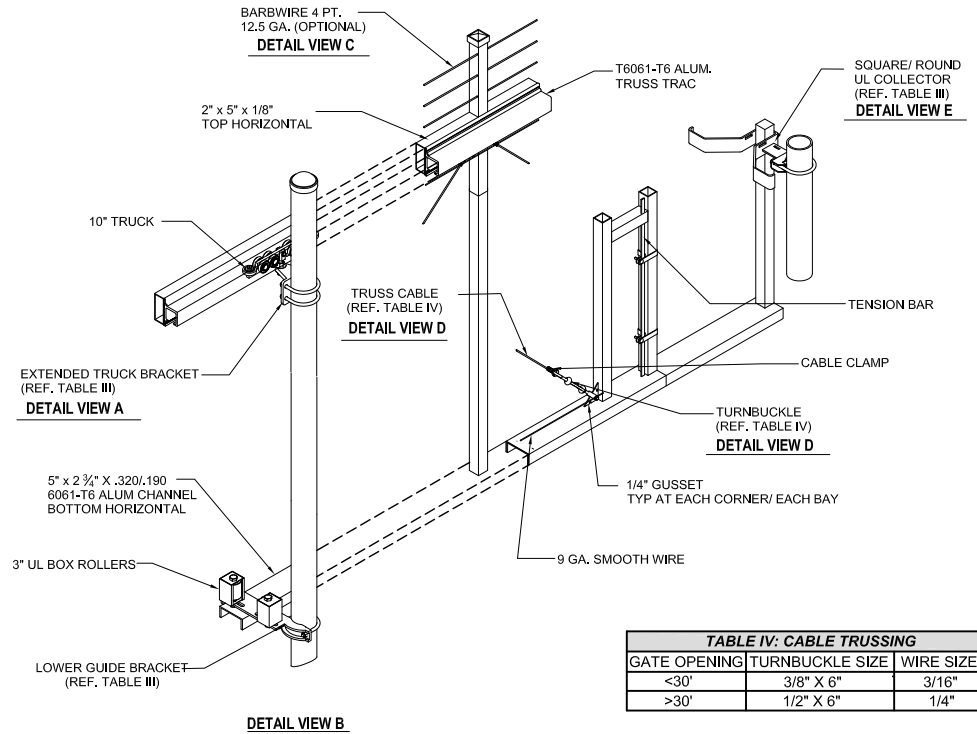


**DETAIL VIEW A**

POST SIZE	DIM "D"
4" ROUND	4 3/4"
4" SQUARE	5 3/16"
6 5/8" ROUND	5 3/8"
6" SQUARE	5 7/8"



GATE OVERALL LENGTH = GATE OPENING x 1.5
POST SPACING = 1/2 GATE OPENING - 1 FT (min)

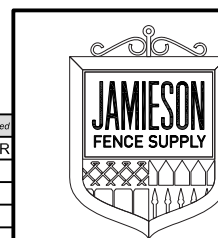


GATE OPENING	TURNBUCKLE SIZE	WIRE SIZE
<30'	3/8" X 6"	3/16"
>30'	1/2" X 6"	1/4"

TO PLACE ORDER PLEASE COMPLETE THE TABLES BELOW:

POST SIZE & TYPE (SEE NOTES 2 & 3 ON PAGE 1)				
ROUND	SQUARE	4"	6"	WITH/ WITHOUT ORDER

POST	TRUCK BRKT.	U-BOLT	LOWER GUIDE BRKT.	COLLECTOR
4" ROUND	274003-E4	209007*	274005-UL	274011-UL
4" SQUARE	274003-E4	209007-SQ	274005-UL	274011-UL
6 5/8" ROUND	274003-E6	209008*	274005-6	274012-UL
6" SQUARE	274003-E6	209009-SQ	274005-6	274012-UL



DRAWN	J. HARVEY	11/18/2013
CHECKED	JK	11/18/2013
APPROVED		
SHEET	2 OF 2	

<b>JAMIESON MANUFACTURING CO.</b> 4221 PLATINUM WAY, DALLAS, TX 75237 PH: (713) 434-7907 / (888) 286-3362 email: gates@jamiesonfence.com www.jamiesonfence.com			
TITLE <b>TrusTrac™ Series 3000</b> <b>SINGLE TRACK ALUMINUM CANTILEVER SLIDE GATES</b> <b>HEAVY INDUSTRIAL CONSTRUCTION</b> <b>CHAIN LINK OPTION</b>			
SIZE	SCALE	DWG NO	REV
A		T3000_D	F