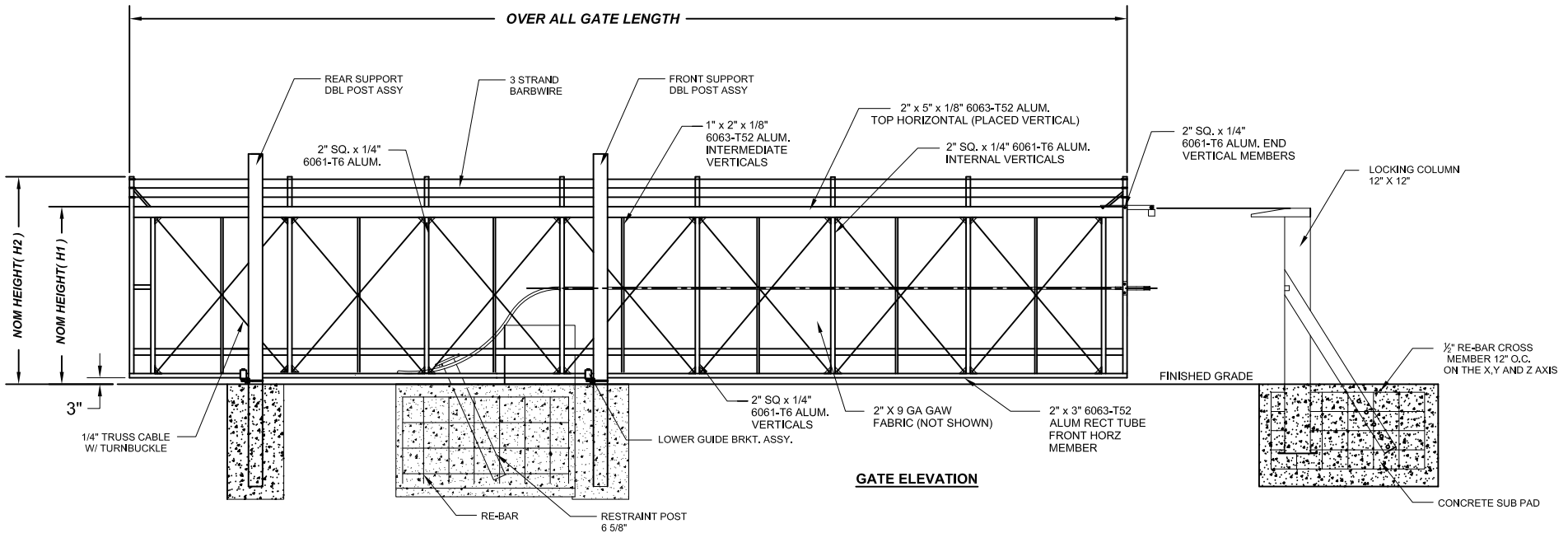
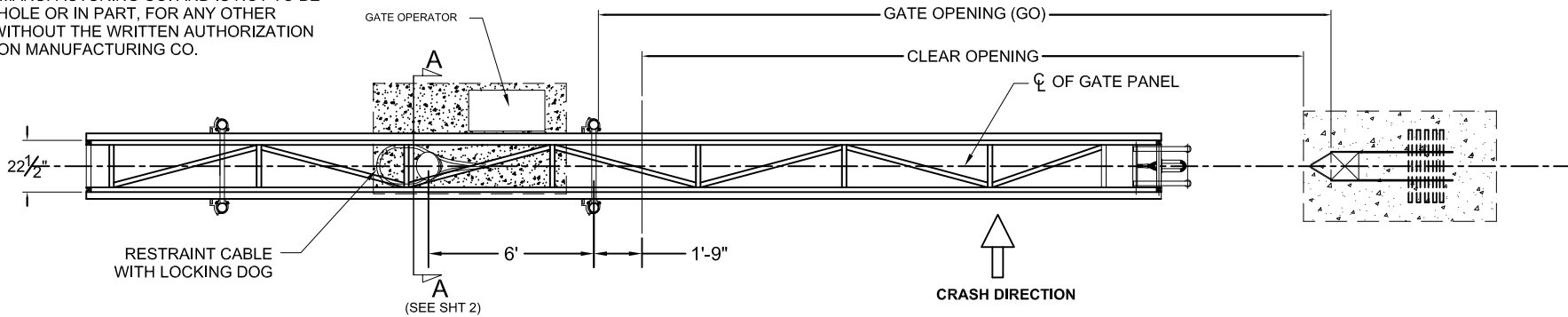


**OWNERSHIP OF DOCUMENTS:**

THIS DOCUMENT AND THE IDEAS AND DESIGNS INCORPORATED HEREIN, AS AN INSTRUMENT OF PROFESSIONAL SERVICE, IS THE PROPERTY OF JAMIESON MANUFACTURING CO. AND IS NOT TO BE USED IN WHOLE OR IN PART, FOR ANY OTHER PROJECT WITHOUT THE WRITTEN AUTHORIZATION OF JAMIESON MANUFACTURING CO.

**GATE PLAN  
TOP VIEW**

LEGEND		
SHT	DESCRIPTION	LAYER
1	ELEVATION VIEW	Sht 1
2	END & ISO VIEW	Sht 2
3	LOCKING SYS ISO	Sht 3




**NOTE:**  
DETAILED GATE LAYOUT WITH DIMENSIONS PROVIDED UPON RECEIPT OF PURCHASE ORDER.

**NOTES:**

1. FRAME MATERIAL GRADE AS PER WRITTEN SPECIFICATIONS
2. POSTS AVAILABLE AS OPTION (REF. PG 2)
3. SPECIFY POST SIZE & TYPE AT TIME OF ORDER FOR APPROPRIATE HARDWARE. (REF. PG 2)
4. SPECIFICATIONS SHOWN CAN BE CHANGED BY THE MANUFACTUER ONLY.
5. ALL MATERIAL SHOWN SHALL BE NEW ALUMINUM UNLESS OTHERWISE NOTED.
6. 2" x 9 GA. GALVANISED CHAINLINK FABRIC TO COVER THE ENTIRE LENGTH OF GATE. OPTIONAL FILLER MATERIALS AVAILABLE UPON REQUEST.
7. OVERSIZE GATES IN LENGTH WILL BE MADE IN TWO SECTIONS, CONSISTING OF 1" X 2" SOLID ALUM BAR IN PLACE OF 2" SQ. VERTICALS EQUIPPED WITH HARDWARE FOR FIELD ASSEMBLY.

**TO PLACE ORDER PLEASE COMPLETE THE TABLES**

OPTIONAL GATE CRITERIA				
COLOR	FILLER	AUTOMATED		
CUSTOMER GATE CRITERIA (PLEASE SEE PAGE 2 TABLE I)				
NOM HEIGHT (H1)	NOM HEIGHT (H2)	GATE OPENING (GO)	TRUCK POST SPACING (TP)	OVER ALL GATE LENGTH
				
DRAWN J HARVEY	5/12/2016	<b>JAMIESON MANUFACTURING CO.</b> 608 PLAZA DR. WILSON, KY 40399 TEL: 502-937-7429 FAX: 502-937-7430		
CHECKED		TITLE DOUBLE TRACK ALUMINUM BOX CANTILEVER SLIDE GATES HEAVY INDUSTRIAL CONSTRUCTION CHAIN LINK OPTION		
APPROVED		SIZE	SCALE	DWG NO
		1	C	P4000-CGS_D
SHEET	1	OF	3	REV

**OWNERSHIP OF DOCUMENTS:**

THIS DOCUMENT AND THE IDEAS AND DESIGNS INCORPORATED HEREIN, AS AN INSTRUMENT OF PROFESSIONAL SERVICE, IS THE PROPERTY OF JAMIESON MANUFACTURING CO. AND IS NOT TO BE USED IN WHOLE OR IN PART, FOR ANY OTHER PROJECT WITHOUT THE WRITTEN AUTHORIZATION OF JAMIESON MANUFACTURING CO.

**TABLE II: DIM "D"**

POST SIZE	DIM "D"
4" ROUND	32"
4" SQUARE	32 3/4"
6 5/8" ROUND	32 3/4"
6" SQUARE	34 1/4"

**TABLE IV: CABLE TRUSSING**

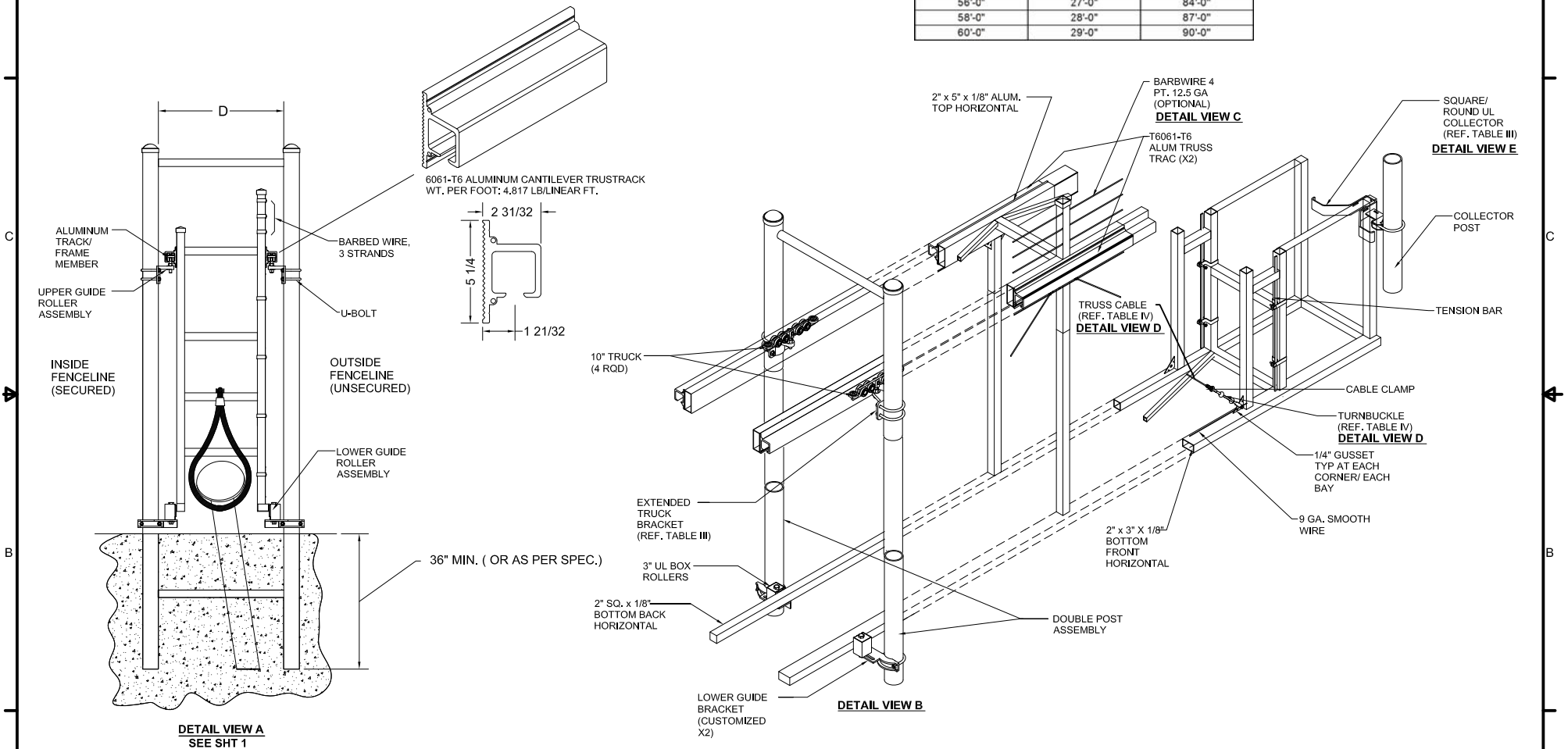
GATE OPENING	TURNBUCKLE SIZE	WIRE SIZE
<30'	3/8" X 6"	3/16"
>30'	1/2" X 6"	1/4"

**TABLE I: GATE SPECS**

GATE OPENING	POST SPACING	GATE OAL
34'-0"	16'-0"	51'-0"
36'-0"	17'-0"	54'-0"
38'-0"	18'-0"	57'-0"
40'-0"	19'-0"	60'-0"
42'-0"	20'-0"	63'-0"
44'-0"	21'-0"	66'-0"
46'-0"	22'-0"	69'-0"
48'-0"	23'-0"	72'-0"
50'-0"	24'-0"	75'-0"
52'-0"	25'-0"	78'-0"
54'-0"	26'-0"	81'-0"
56'-0"	27'-0"	84'-0"
58'-0"	28'-0"	87'-0"
60'-0"	29'-0"	90'-0"

**LEGEND**

SHT	DESCRIPTION	LAYER
1	ELEVATION VIEW	Sht 1
2	END & ISO VIEW	Sht 2
3	LOCKING SYS ISO	Sht 3



**DETAIL VIEW A**  
SEE SHT 1

**DETAIL VIEW B**

**DETAIL VIEW C**

**DETAIL VIEW E**

**DETAIL VIEW D**

**DETAIL VIEW D**

**TABLE III: HARDWARE GUIDE**

POST	TRUCK BRKT	U-BOLT	LOWER GUIDE BRKT	COLLECTOR
4" ROUND	274003-E4	209007	274005-UL	274011-UL
4" SQUARE	274003-E4	209007-SQ	274005-UL	274011-UL
6 5/8" ROUND	274003-E6	200000-265	274005-6	274012-UL
6" SQUARE	274003-E6	200000-269	274005-6	274012-UL

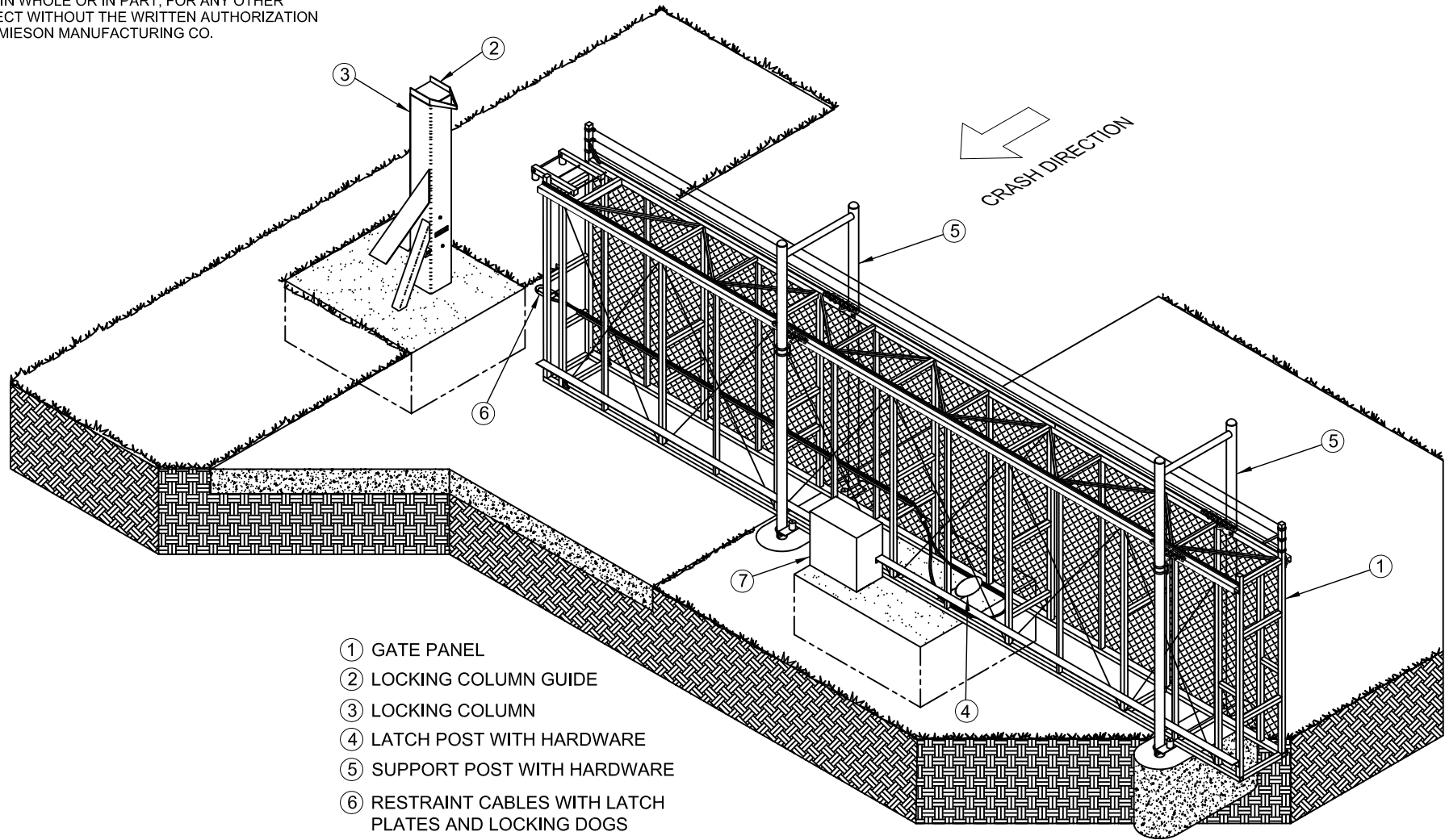
TO PLACE ORDER PLEASE COMPLETE THE TABLES BELOW :

POST SIZE & TYPE (SEE NOTES 2 & 3 ON PAGE 1)				
ROUND	SQUARE	4"	6"	WITH/ WITHOUT ORDER
		DRAWN	J HARVEY	5/12/2016
		CHECKED		
		APPROVED		
		TITLE	TrusTrac Series 4000 ALUMINUM BOX CANTILEVER CRASH SLIDE GATES HEAVY INDUSTRIAL CONSTRUCTION	
		CHAIN LINK OPTION		
		SHEET	2	OF 3
SIZE	C	SCALE	P4000-CGS_D	REV

**OWNERSHIP OF DOCUMENTS:**

THIS DOCUMENT AND THE IDEAS AND DESIGNS INCORPORATED HEREIN, AS AN INSTRUMENT OF PROFESSIONAL SERVICE, IS THE PROPERTY OF JAMIESON MANUFACTURING CO. AND IS NOT TO BE USED IN WHOLE OR IN PART, FOR ANY OTHER PROJECT WITHOUT THE WRITTEN AUTHORIZATION OF JAMIESON MANUFACTURING CO.

LEGEND		
SHT	DESCRIPTION	LAYER
1	ELEVATION VIEW	Sht 1
2	END & ISO VIEW	Sht 2
3	LOCKING SYS ISO	Sht 3



- ① GATE PANEL
- ② LOCKING COLUMN GUIDE
- ③ LOCKING COLUMN
- ④ LATCH POST WITH HARDWARE
- ⑤ SUPPORT POST WITH HARDWARE
- ⑥ RESTRAINT CABLES WITH LATCH PLATES AND LOCKING DOGS
- ⑦ GATE OPERATOR AND DRIVE RAIL (OPTIONAL)

**NOTES:**

- 1) GATE HAS BEEN CRASH TESTED AS PER ASTM F2656 ON 24' GATE OPENING (M50/P2).
- 2) ENGINEERING RATED GATES AVAILABLE FOR ALTERNATIVE OPENINGS AND CRITERIA.
- 3) MANUFACTURER RESERVES THE RIGHT TO MODIFY THE DESIGN PARAMETERS FOR RATED PRODUCT MADE TO ALTERNATIVE CRITERIA.
- 4) FULL LINE OF ACCESS CONTROL GATE OPERATORS AND ACCESSORIES AVAILABLE.

	DRAWN	J HARVEY	5/12/2016	<b>JAMIESON MANUFACTURING CO.</b> <small>2000 W. 10th St. • P.O. Box 100 • Ft. Collins, CO 80501</small>
	CHECKED			
	APPROVED			
	TITLE	TrusTrac Series 4000		
ALUMINUM BOX CANTILEVER CRASH SLIDE GATES				<small>HEAVY INDUSTRIAL CONSTRUCTION</small>  <small>CHAIN LINK OPTION</small>
SIZE C SCALE 1/4" = 1'-0" AWS NO. P4000-CGS_D				
SHEET 3 OF 3				REV