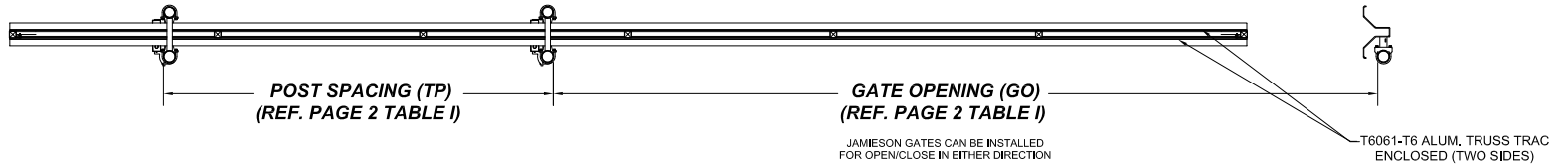


**OWNERSHIP OF DOCUMENTS:**

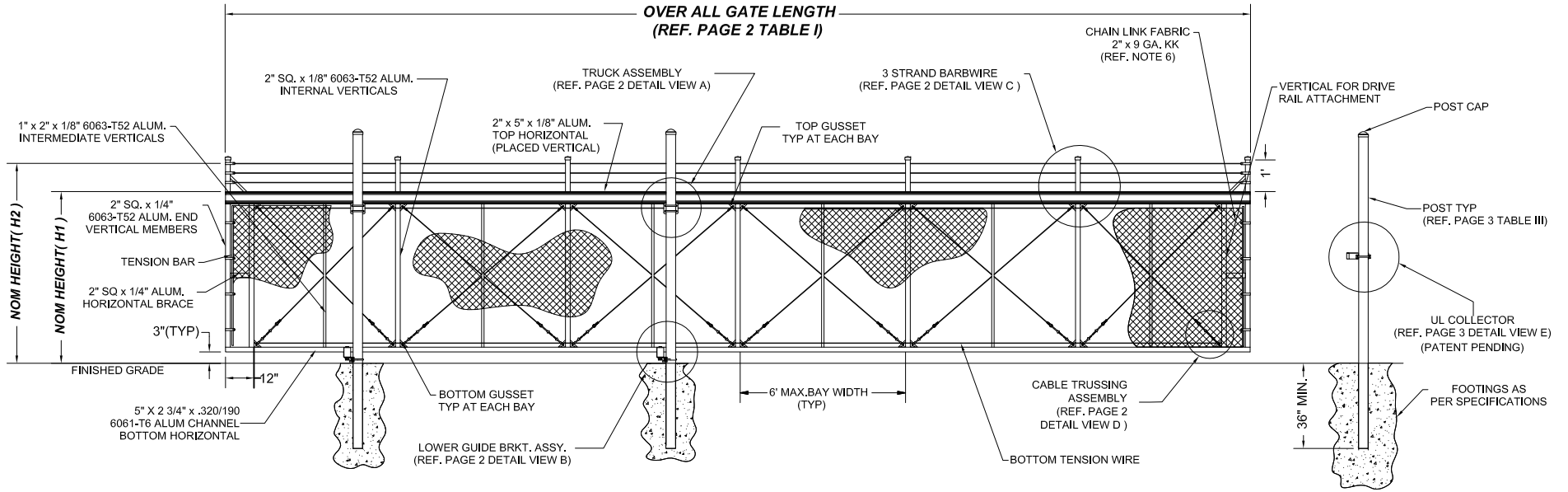
THIS DOCUMENT AND THE IDEAS AND DESIGNS INCORPORATED HEREIN, AS AN INSTRUMENT OF PROFESSIONAL SERVICE, IS THE PROPERTY OF JAMIESON MANUFACTURING CO. AND IS NOT TO BE USED IN WHOLE OR IN PART, FOR ANY OTHER PROJECT WITHOUT THE WRITTEN AUTHORIZATION OF JAMIESON MANUFACTURING CO.

LEGEND		
SHT	DESCRIPTION	LAYER
1	ELEVATION VIEW	SHT 1
2	END & ISO VIEW	SHT 2

**GATE PLAN**



**OVER ALL GATE LENGTH (REF. PAGE 2 TABLE I)**



**GATE ELEVATION**

(CHAIN LINK SHOWN, FOR ORNAMENTAL FILLER MATLS. PLEASE CONTACT YOUR JAMIESON DEALER)

TO PLACE ORDER PLEASE COMPLETE THE TABLES BELOW:

CUSTOMER GATE CRITERIA (PLEASE SEE PAGE 2 TABLE I)				
NOM HEIGHT (H1)	NOM HEIGHT (H2)	GATE OPENING (GO)	TRUCK POST SPACING (TP)	OVER ALL GATE LENGTH

OPTIONAL GATE CRITERIA		
COLOR	FILLER	AUTOMATED

**NOTES:**

1. FRAME MATERIAL GRADE AS PER WRITTEN SPECIFICATIONS
2. POSTS AVAILABLE AS OPTION (REF. PG. 2)
3. SPECIFY POST SIZE & TYPE AT TIME OF ORDER (REF HARDWARE, SCHEDULE PAGE 2)
4. SPECIFICATIONS SHOWN CAN BE CHANGED BY THE MANUFACTUER ONLY.
5. ALL MATERIAL SHOWN SHALL BE NEW ALUMINUM UNLESS OTHERWISE NOTED.
6. 2" x 9 GA. CHAINLINK FABRIC TO COVER THE ENTIRE LENGTH OF GATE. OPTIONAL FILLER MATERIALS AVAILABLE UPON REQUEST.



DRAWN	J. HARVEY	11/19/2013
CHECKED	JK	11/19/2013
APPROVED	J KETTERER	11/19/2013
SHEET	1 OF 2	

**JAMIESON MANUFACTURING CO.**

4221 PLATINUM WAY, DALLAS, TX 75237  
 PH: (713) 434-7907 / (888) 286-3362  
 email: gates@jamiesonfence.com www.jamiesonfence.com

TITLE  
**TrusTrac II™ Series 3000  
 DOUBLE TRACK ALUMINUM CANTILEVER SLIDE GATES  
 HEAVY INDUSTRIAL CONSTRUCTION  
 CHAIN LINK OPTION**

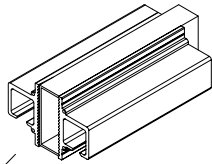
SIZE	SCALE	DWG NO	TD3000_D	REV	D
------	-------	--------	----------	-----	---

**OWNERSHIP OF DOCUMENTS:**

THIS DOCUMENT AND THE IDEAS AND DESIGNS INCORPORATED HEREIN, AS AN INSTRUMENT OF PROFESSIONAL SERVICE, IS THE PROPERTY OF JAMIESON MANUFACTURING CO. AND IS NOT TO BE USED IN WHOLE OR IN PART, FOR ANY OTHER PROJECT WITHOUT THE WRITTEN AUTHORIZATION OF JAMIESON MANUFACTURING CO.

**TABLE II: DIM "D"**

POST SIZE	DIM "D"
4" ROUND	11-3/8"
4" SQUARE	12 1/8"
6 5/8" ROUND	12"
6" SQUARE	13 1/4"



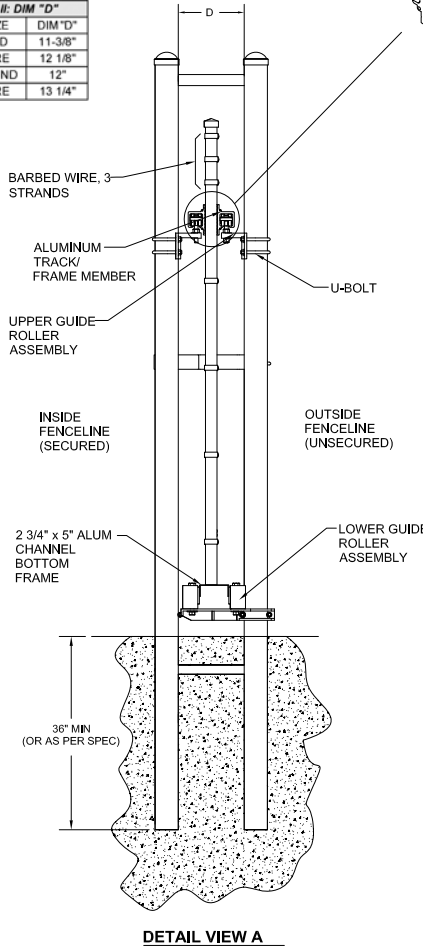
6061-T6 ALUMINUM CANTILEVER TRUSS TRACK WT. PER FOOT: 4.817 LB/ LINEAR FT.

**TABLE IV: CABLE TRUSSING**

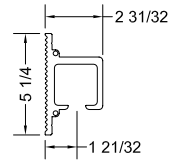
GATE OPENING	TURNBUCKLE SIZE	WIRE SIZE
<30'	3/8" x 6"	3/16"
>30'	1/2" x 6"	1/4"

**TABLE I: GATE SPECS**

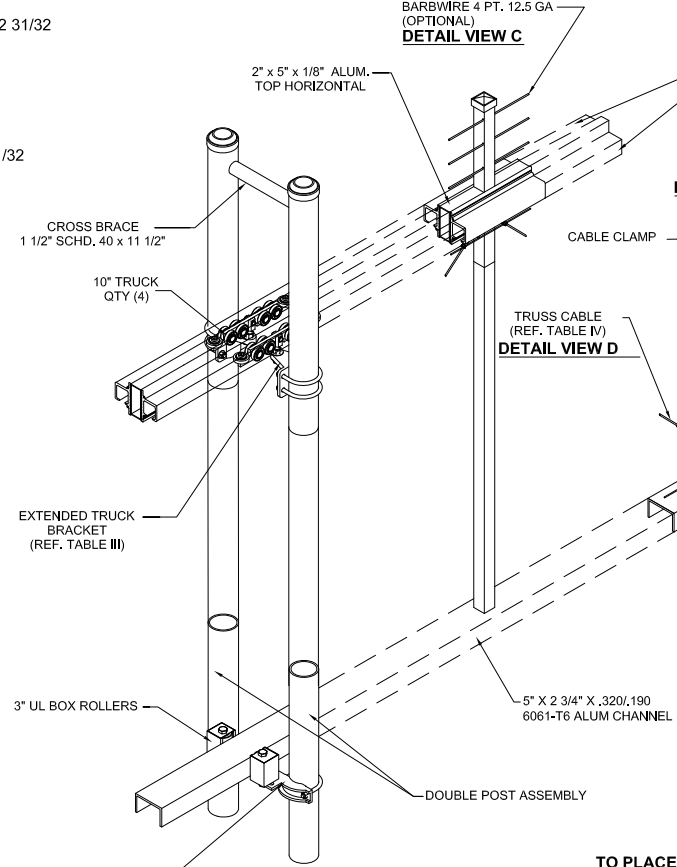
GATE OPENING	POST SPACING	GATE OAL
8'-0"	3'-0"	12'-0"
10'-0"	4'-0"	15'-0"
12'-0"	5'-0"	18'-0"
14'-0"	6'-0"	21'-0"
16'-0"	7'-0"	24'-0"
18'-0"	8'-0"	27'-0"
20'-0"	9'-0"	30'-0"
22'-0"	10'-0"	33'-0"
24'-0"	11'-0"	36'-0"
26'-0"	12'-0"	39'-0"
28'-0"	12'-0"	42'-0"
30'-0"	13'-0"	45'-0"
32'-0"	14'-0"	48'-0"
34'-0"	14'-0"	50'-0"
36'-0"	15'-0"	53'-0"
38'-0"	15'-0"	55'-0"
40'-0"	16'-0"	58'-0"



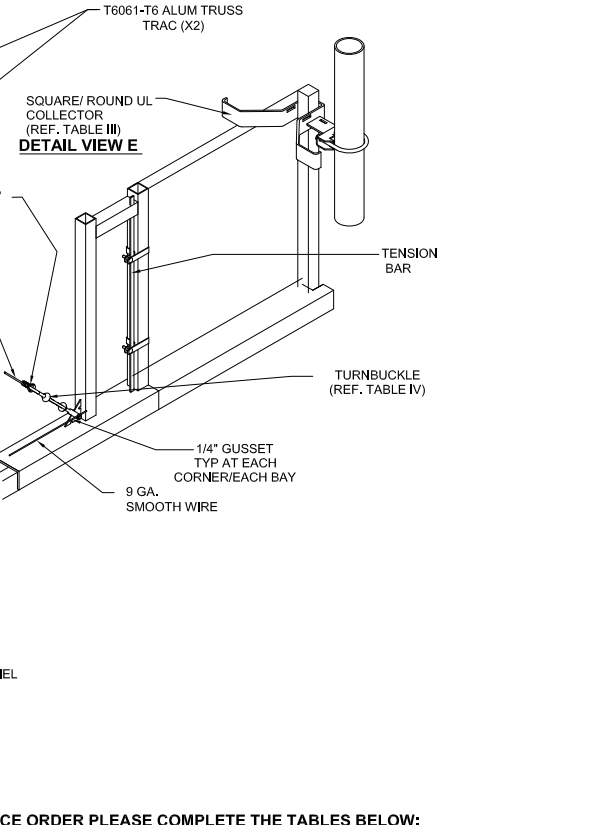
**DETAIL VIEW A**



2 31/32  
5 1/4  
1 21/32



**DETAIL VIEW B**



**DETAIL VIEW E**

TO PLACE ORDER PLEASE COMPLETE THE TABLES BELOW:

POST SIZE & TYPE ( SEE NOTES 2 & 3 ON PAGE 1)				
ROUND	SQUARE	4"	6"	WITH/ WITHOUT ORDER

**TABLE III: HARDWARE GUIDE**

POST	TRUCK BRKT.	U-BOLT	LOWER GUIDE BRKT	COLLECTOR
4" ROUND	274003-E4	209007*	274005-UL	274011-UL
4" SQUARE	274003-E4	209007-SQ	274005-UL	274011-UL
6 5/8" ROUND	274003-E6	200000-265*	274005-6	274012-UL
6" SQUARE	274003-E6	200000-269	274005-6	274012-UL

\*included



DRAWN	J. HARVEY	11/19/2013
CHECKED	JK	11/19/2013
APPROVED	J KETTERER	11/19/2013
SHEET	2 OF 2	

TITLE  
**TrusTrac II™ Series 3000  
DOUBLE TRACK ALUMINUM CANTILEVER SLIDE GATES  
HEAVY INDUSTRIAL CONSTRUCTION  
CHAIN LINK OPTION**

SIZE	SCALE	DWG NO	TD3000_D	REV	D
------	-------	--------	----------	-----	---