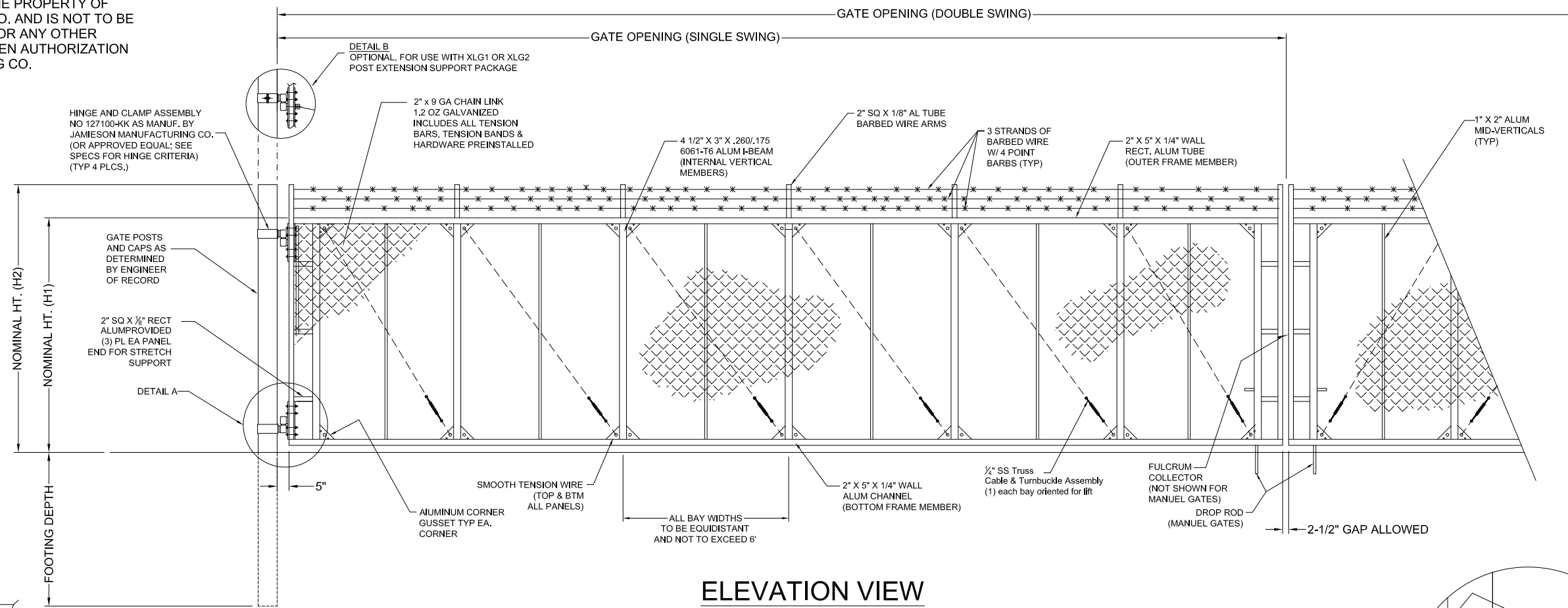


OWNERSHIP OF DOCUMENTS:

THIS DOCUMENT AND THE IDEAS AND DESIGNS INCORPORATED HEREIN, AS AN INSTRUMENT OF PROFESSIONAL SERVICE, IS THE PROPERTY OF JAMIESON MANUFACTURING CO. AND IS NOT TO BE USED IN WHOLE OR IN PART, FOR ANY OTHER PROJECT WITHOUT THE WRITTEN AUTHORIZATION OF JAMIESON MANUFACTURING CO.

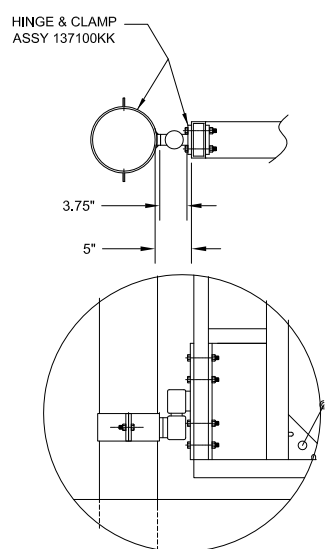
LEGEND		
SHT	DESCRIPTION	LAYER
1	ELEV / CHAIN LINK	SHT 1
2	ELEV / ORNAMENTAL	SHT 2



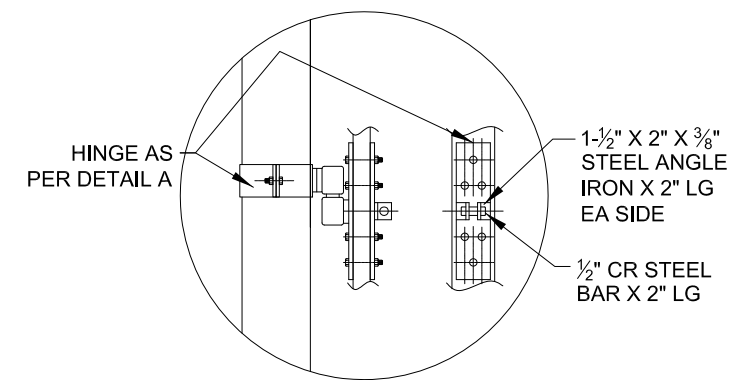
ELEVATION VIEW

MAXIMUM LEAF LENGTH WITHOUT CABLE SUPPORT
CHAIN LINK FILLER: 24'

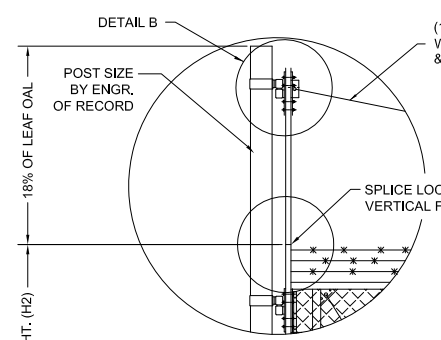
NOTE: EXTENDED LENGTH AND/OR HEAVY GATE LEAFS MAY REQUIRE JOB-SPECIFIC ENGINEERING CALCULATIONS FOR POST SIZE & SUPPORT (SUCH AS A DEADMAN, ETC).



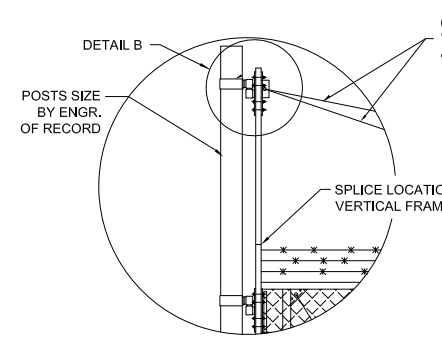
HINGE & CLAMP ASSEMBLY PART NUMBER 137100-KK AS MANUF BY JAMIESON MANUFACTURING CO. MOUNT WITH 1/2\"/>



XLG SUPPORT PACKAGE
SUSPENSION CABLE & BRACKET ASSEMBLY AS MANUFACTURED BY JAMIESON MANUFACTURING CO.



XLG1 SINGLE CABLE SUPPORT PACKAGE
MAXIMUM LEAF LENGTH
CHAIN LINK FILLER: 34'



XLG2 DOUBLE CABLE SUPPORT PACKAGE
MAXIMUM LEAF LENGTH
CHAIN LINK FILLER: 60'

XLG SUPPORT PACKAGES

- NOTES:**
1. FRAME MATERIAL GRADE AS PER WRITTEN SPECIFICATIONS
 2. POSTS AVAILABLE AS OPTION.
 3. SPECIFY POST SIZE & TYPE AT TIME OF ORDER FOR APPROPRIATE HARDWARE.
 4. SPECIFICATIONS SHOWN CAN BE CHANGED BY THE MANUFACTURER ONLY.
 5. ALL MATERIAL SHOWN SHALL BE NEW ALUMINUM UNLESS OTHERWISE NOTED.
 6. 2\"/>

TO PLACE ORDER PLEASE COMPLETE THE TABLE BELOW:

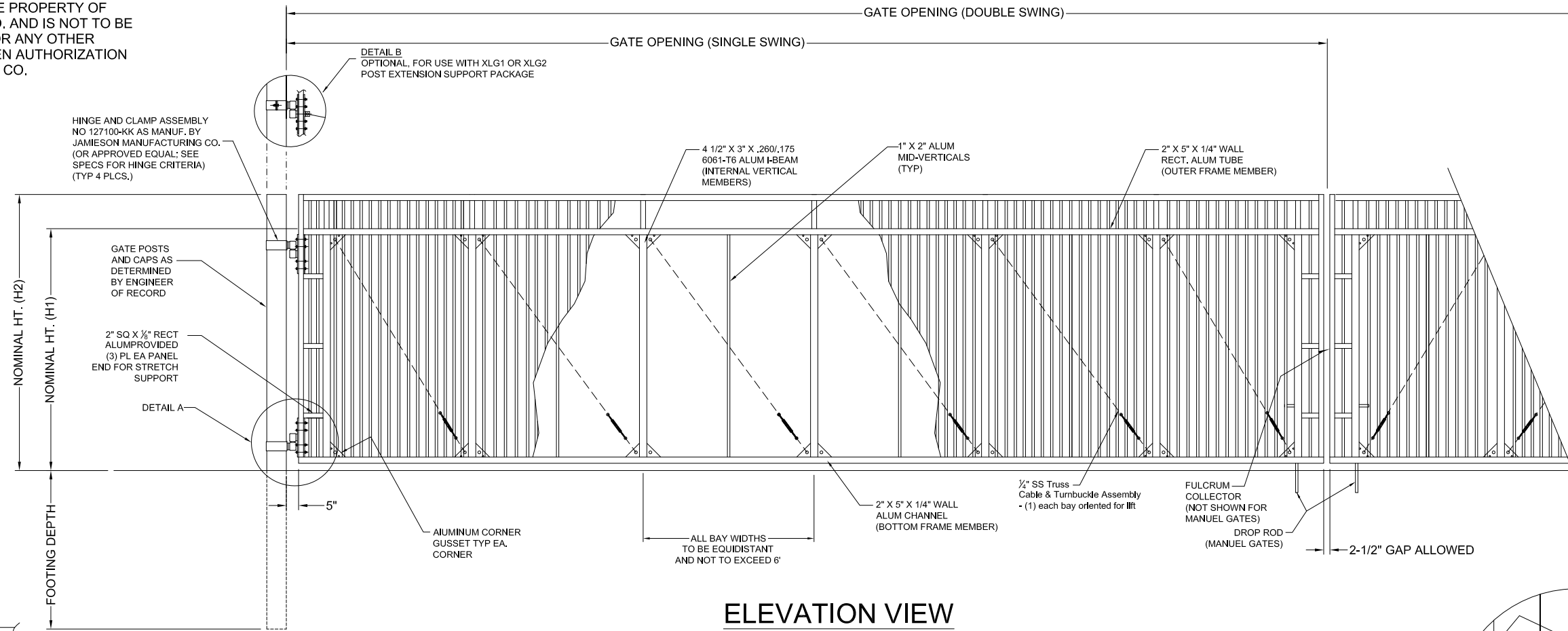
CUSTOMER GATE CRITERIA				
NOMINAL HT. (H1)	NOMINAL HT. (H2)	SINGLE SWING (GO)	DOUBLE SWING (GO)	POST SIZE

	DRAWN J HARVEY	12/16/13	JAMIESON MANUFACTURING CO. 4221 PLATINUM WAY, DALLAS, TX 75237 PH: (713) 434-7907 / (888) 286-3362 email: gates@jamiesonfence.com www.jamiesonfence.com			
	CHECKED JK	12/16/13				
	APPROVED		TITLE SERIES 8650 LARGE OPENING SWING GATES CHAIN LINK FILLER TO 60' MAX GATE LEAF			
	SHEET 1 OF 2			SIZE D	SCALE N/A	DWG NO SER 8650_D

OWNERSHIP OF DOCUMENTS:

THIS DOCUMENT AND THE IDEAS AND DESIGNS INCORPORATED HEREIN, AS AN INSTRUMENT OF PROFESSIONAL SERVICE, IS THE PROPERTY OF JAMIESON MANUFACTURING CO. AND IS NOT TO BE USED IN WHOLE OR IN PART, FOR ANY OTHER PROJECT WITHOUT THE WRITTEN AUTHORIZATION OF JAMIESON MANUFACTURING CO.

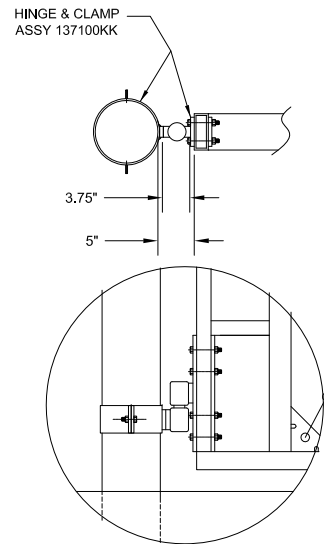
LEGEND		
SHT	DESCRIPTION	LAYER
1	ELEV / CHAIN LINK	SHT 1
2	ELEV / ORNAMENTAL	SHT 2



ELEVATION VIEW

MAXIMUM LEAF LENGTH WITHOUT CABLE SUPPORT
ORNAMENTAL FILLER: 18'

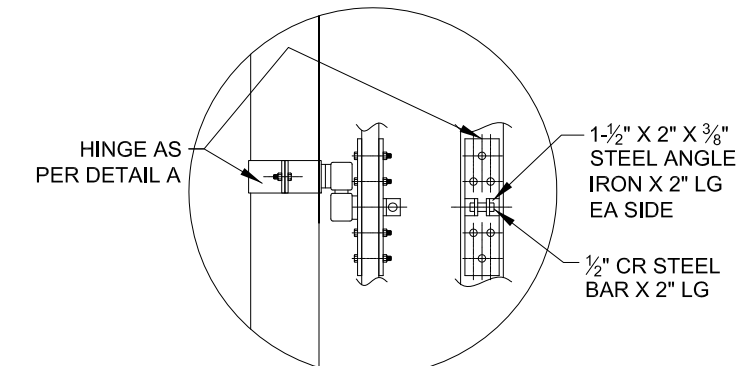
NOTE: EXTENDED LENGTH AND/OR HEAVY GATE LEAFS MAY REQUIRE JOB-SPECIFIC ENGINEERING CALCULATIONS FOR POST SIZE & SUPPORT (SUCH AS A DEADMAN, ETC).



DETAIL A

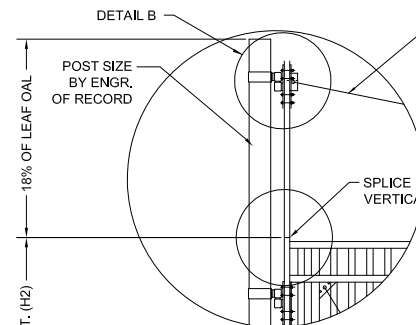
HINGE & CLAMP ASSEMBLY PART NUMBER 137100-KK AS MANUF. BY JAMIESON MANUFACTURING CO. MOUNT WITH 1/2\"-13 X 6\" SS HEX BOLTS & NYLOK NUTS

- NOTES:**
1. FRAME MATERIAL GRADE AS PER WRITTEN SPECIFICATIONS
 2. POSTS AVAILABLE AS OPTION.
 3. SPECIFY POST SIZE & TYPE AT TIME OF ORDER FOR APPROPRIATE HARDWARE.
 4. SPECIFICATIONS SHOWN CAN BE CHANGED BY THE MANUFACTURER ONLY.
 5. ALL MATERIAL SHOWN SHALL BE NEW ALUMINUM UNLESS OTHERWISE NOTED.
 6. PICKET MATERIAL TO COVER THE ENTIRE LENGTH OF GATE. OPTIONAL POWDER COATING AVAILIABLE UPON REQUEST.

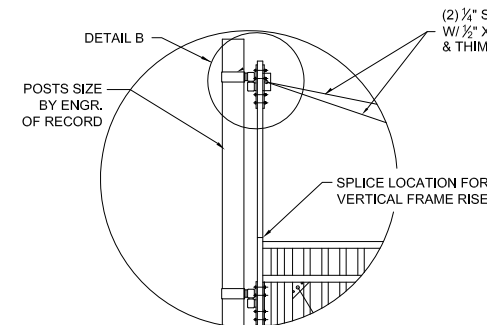


DETAIL B

XLG SUPPORT PACKAGE
SUSPENSION CABLE & BRACKET ASSEMBLY
AS MANUFACTURED BY JAMIESON MANUFACTURING CO.



XLG1 SINGLE CABLE SUPPORT PACKAGE
MAXIMUM LEAF LENGTH
ORNAMENTAL FILLER: 30'



XLG2 DOUBLE CABLE SUPPORT PACKAGE
MAXIMUM LEAF LENGTH
ORNAMENTAL FILLER: 50'

XLG SUPPORT PACKAGES

TO PLACE ORDER PLEASE COMPLETE THE TABLE BELOW:

CUSTOMER GATE CRITERIA				
NOMINAL HT. (H1)	NOMINAL HT. (H2)	SINGLE SWING (GO)	DOUBLE SWING (GO)	POST SIZE

	DRAWN J HARVEY	12/16/13	JAMIESON MANUFACTURING CO. 4221 PLATINUM WAY, DALLAS, TX 75237 PH: (713) 434-7907 / (888) 286-3362 email: gates@jamiesonfence.com www.jamiesonfence.com			
	CHECKED JK	12/16/13				
	APPROVED		TITLE SERIES 8650 LARGE OPENING SWING GATES ORNAMENTAL FILLERTO 50' GATE LEAF			
	SHEET 2 OF 2			SIZE D	SCALE N/A	DWG NO SER 8650_D