

**OWNERSHIP OF DOCUMENTS:**

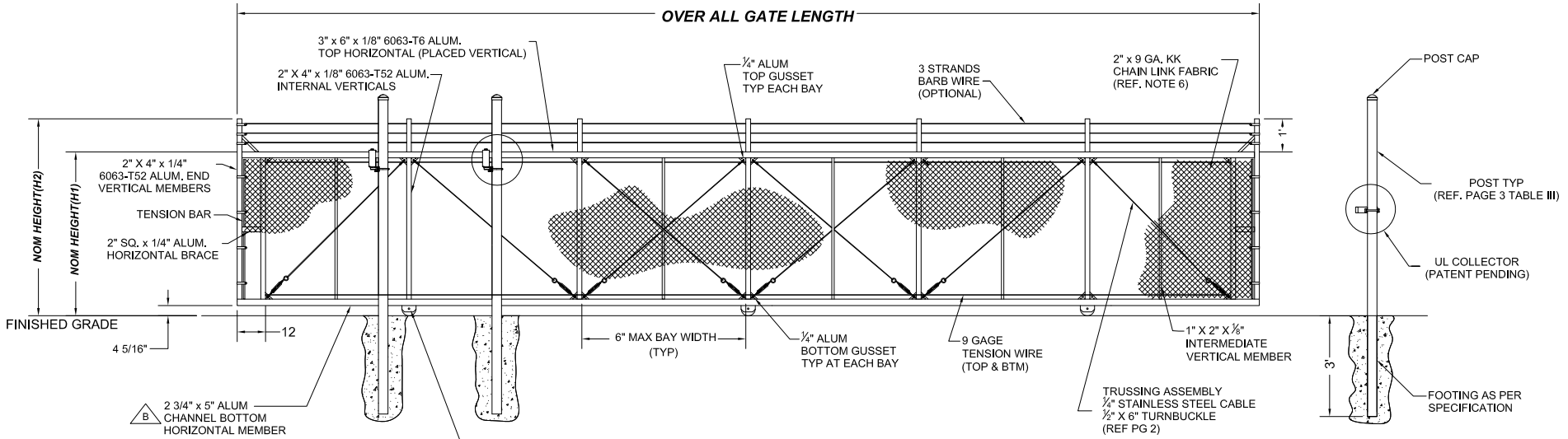
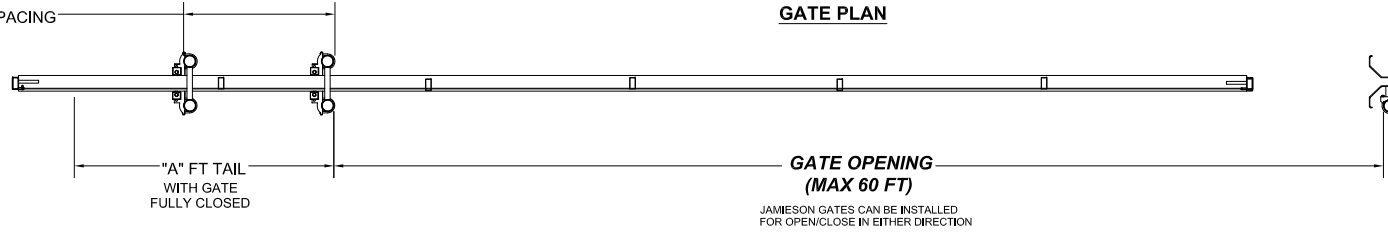
THIS DOCUMENT AND THE IDEAS AND DESIGNS INCORPORATED HEREIN, AS AN INSTRUMENT OF PROFESSIONAL SERVICE, IS THE PROPERTY OF JAMIESON MANUFACTURING CO. AND IS NOT TO BE USED IN WHOLE OR IN PART, FOR ANY OTHER PROJECT WITHOUT THE WRITTEN AUTHORIZATION OF JAMIESON MANUFACTURING CO.

**NOTE: GATE RIDES ON GALVANIZED STEEL V-TRACK #274120-G (SOLD SEPARATELY). TRACK LENGTH IS TO BE EQUAL TO GATE OPENING PLUS OVERALL LENGTH OF GATE. TRACK TO BE ANCHORED TO SOLID SURFACE & LEVEL GRADE**

ZONE	REV.	DESCRIPTION	DATE	APPROVED	LEGEND		
△	B	2" SQ X 1/4" ALUM CHANNEL WAS 2" X 4" ALUM RECT TUBE	10/10/2011		SHT	DESCRIPTION	LAYER
△	C	3" X 6" ALUM RECT TUBE WAS 2" X 4" ALUM RECT TUBE	1/26/2017		1	ELEVATION VIEW	SHT 1
△	C	14" WAS 13 1/2"	1/26/2017		2	END & ISO VIEW	SHT 2

GATE OPENING	"A"	"B"
<26'	4'	42"
>26'-<40'	6'	66"
>40'	10'	112"

NOTE: ALL GATES OVER 10' TALL TO HAVE 10' TAIL SECTION.



**GATE ELEVATION**  
(CHAIN LINK SHOWN FOR ORNAMENTAL FILLER MATLS. PLEASE CONTACT YOUR JAMIESON DEALER)

TO PLACE ORDER PLEASE COMPLETE THE TABLES BELOW:

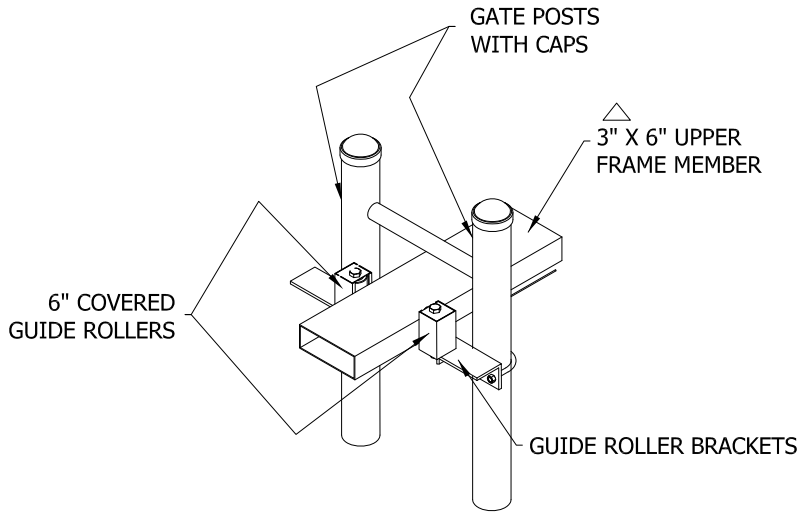
OPTIONAL GATE CRITERIA		
COLOR	FILLER	AUTOMATED

TO PLACE ORDER PLEASE COMPLETE THE TABLES BELOW:

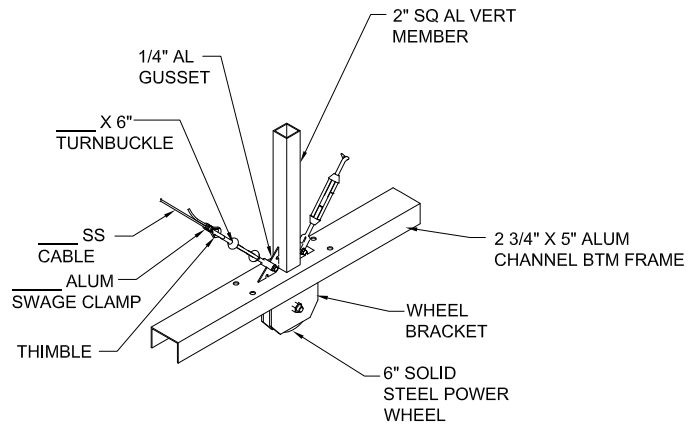
CUSTOMER GATE CRITERIA (PLEASE SEE PAGE 2 TABLE I)				
NOM HEIGHT (H1)	NOM HEIGHT (H2)	GATE OPENING	TRUCK POST SPACING	OVER ALL GATE LENGTH
	DRAWN JH	11/22/213	<b>JAMIESON MANUFACTURING CO.</b> 4221 PLATINUM WAY, DALLAS, TX 75237 PH: (713) 434-7907 / (888) 286-3362 email: gates@jamiesonfence.com www.jamiesonfence.com	
	CHECKED JK	11/22/2013		
	APPROVED JK	11/22/2013		
	TITLE			
SHEET 1 OF 2	SIZE C	SCALE	DWG NO V4500_D	REV C

**NOTES:**

1. FRAME MATERIAL GRADE AS PER WRITTEN SPECIFICATIONS
2. POSTS AVAILABLE AS OPTION (REF. PG 2)
3. SPECIFY POST SIZE & TYPE AT TIME OF ORDER FOR APPROPRIATE HARDWARE. (REF. PG 2)
4. SPECIFICATIONS SHOWN CAN BE CHANGED BY THE MANUFACTUER ONLY.
5. ALL MATERIAL SHOWN SHALL BE NEW ALUMINUM UNLESS OTHERWISE NOTED.
6. 2" x 9 GA. GALVANIZED CHAINLINK FABRIC TO COVER THE ENTIRE LENGTH OF GATE. OPTIONAL FILLER MATERIALS AVAILABLE UPON REQUEST.

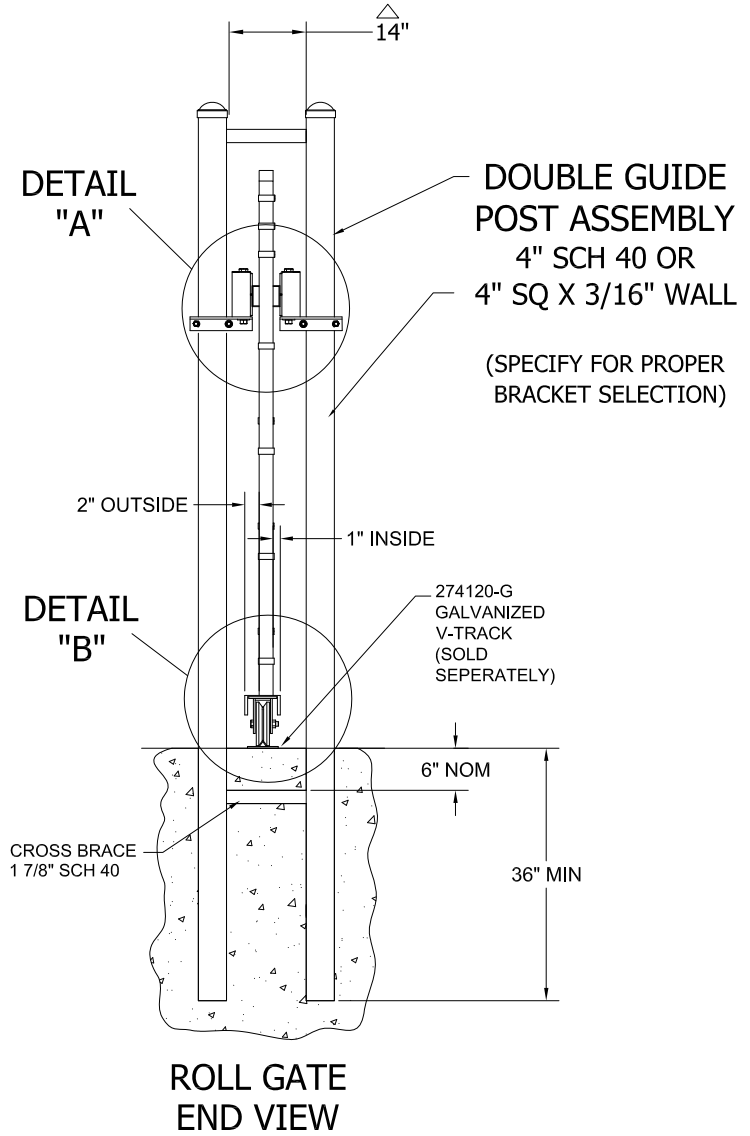


**DETAIL "A"**  
**TOP ROLLER GUIDES**  
 (SOLD SEPERATELY)



**DETAIL "B"**  
**WHEEL WELL**  
**POWER WHEEL & BRACKET ASSEMBLY**  
**AND TRUSS CABLE ASSEMBLY**

OAL	CABLE	TURNBUCKLE
<50'	3/16"	3/8" X 6"
>50'	1/4"	1/2" X 6"



**ROLL GATE**  
**END VIEW**



DRAWN	JH	11/22/2013
CHECKED	JK	11/22/2013
APPROVED	JK	11/22/2013
SHEET	2 OF 2	

JAMIESON MANUFACTURING CO.  
 4221 PLATINUM WAY, DALLAS, TX 75237  
 PH: (713) 434-7907 / (888) 286-3362  
 email: gates@jamiesonfence.com www.jamiesonfence.com

**ValuTrac™ Series 4500**  
**ALUMINUM V-TRACK SLIDE GATES**  
**HEAVY INDUSTRIAL CONSTRUCTION**  
**CHAIN LINK OPTION**

SIZE	SCALE	DWG NO	REV
C		V4500_D	C