

OWNERSHIP OF DOCUMENTS:

THIS DOCUMENT AND THE IDEAS AND DESIGNS INCORPORATED HEREIN, AS AN INSTRUMENT OF PROFESSIONAL SERVICE, IS THE PROPERTY OF JAMIESON MANUFACTURING CO. AND IS NOT TO BE USED IN WHOLE OR IN PART, FOR ANY OTHER PROJECT WITHOUT THE WRITTEN AUTHORIZATION OF JAMIESON MANUFACTURING CO.

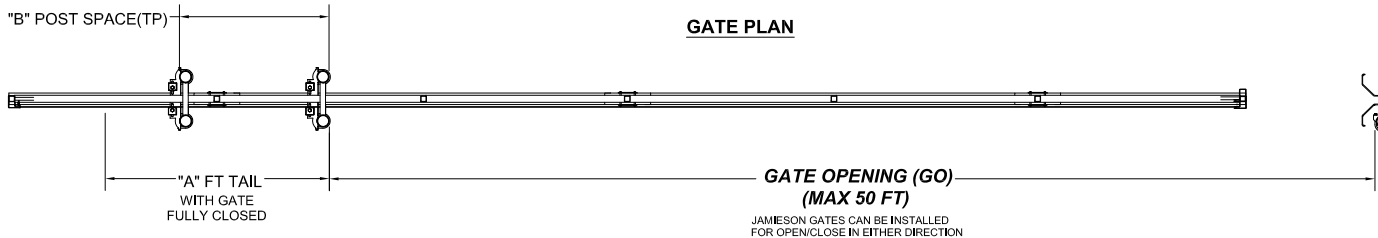
ZONE	REV.	DESCRIPTION	DATE	APPROVED
△	B	2 3/4" x 5" ALUM CHANNEL WAS 2" x 4" ALUM RECT TUBE	10/10/2011	
△	C	3" x 6" ALUM RECT TUBE WAS 2 1/2" x 5 1/2" ALUM RECT TUBE	1/20/2017	
	C	1 1/4" WAS 1 3/8"	1/20/2017	

LEGEND		
SHT	DESCRIPTION	LAYER
1	ELEVATION VIEW	SHT 1
2	END & ISO VIEW	SHT 2

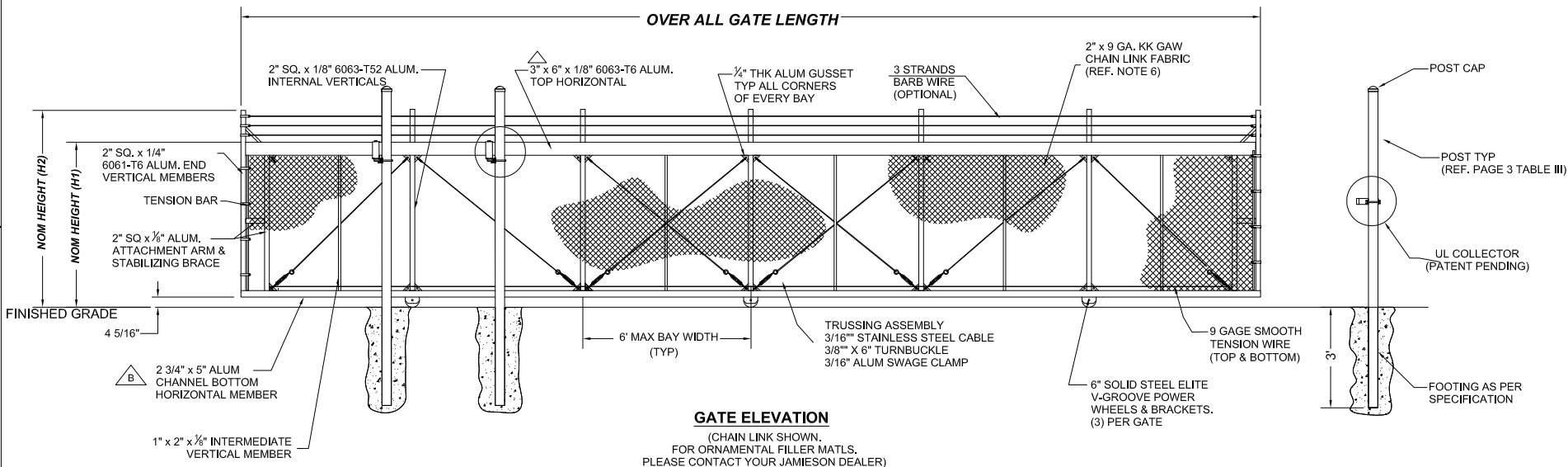
NOTE: GATE RIDES ON GALVANIZED STEEL V-TRACK #274120-G (SOLD SEPERATELY) . TRACK LENGTH IS TO BE EQUAL TO GATE OPENING PLUS OVERALL LENGTH OF GATE. TRACK TO BE ANCHORED TO SOLID SURFACE & LEVEL GRADE

GATE OPENING	"A"	"B"
<26'	4'	42"
>26'-<40'	6'	66"
>40'	10'	112"

NOTE: ALL GATES OVER 10' TALL TO HAVE 10' TAIL SECTION.



JAMIESON GATES CAN BE INSTALLED FOR OPEN/CLOSE IN EITHER DIRECTION



GATE ELEVATION
(CHAIN LINK SHOWN. FOR ORNAMENTAL FILLER MATLS. PLEASE CONTACT YOUR JAMIESON DEALER)

TO PLACE ORDER PLEASE COMPLETE THE TABLES BELOW:

OPTIONAL GATE CRITERIA		
COLOR	FILLER	AUTOMATED

TO PLACE ORDER PLEASE COMPLETE THE TABLES BELOW:

CUSTOMER GATE CRITERIA (PLEASE SEE PAGE 2 TABLE I)				
NOM HEIGHT (H1)	NOM HEIGHT (H2)	GATE OPENING (GO)	POST SPACING (TP)	OVER ALL GATE LENGTH

NOTES:

1. FRAME MATERIAL GRADE AS PER WRITTEN SPECIFICATIONS
2. POSTS AVAILABLE AS OPTION (REF. PG 2)
3. SPECIFY POST SIZE & TYPE AT TIME OF ORDER FOR APPROPRIATE HARDWARE. (REF. PG 2)
4. SPECIFICATIONS SHOWN CAN BE CHANGED BY THE MANUFACTURER ONLY.
5. ALL MATERIAL SHOWN SHALL BE NEW ALUMINUM UNLESS OTHERWISE NOTED.
6. 2" x 9 GA. GALVANIZED CHAINLINK FABRIC TO COVER THE ENTIRE LENGTH OF GATE. OPTIONAL FILLER MATERIALS AVAILIABLE UPON REQUEST.

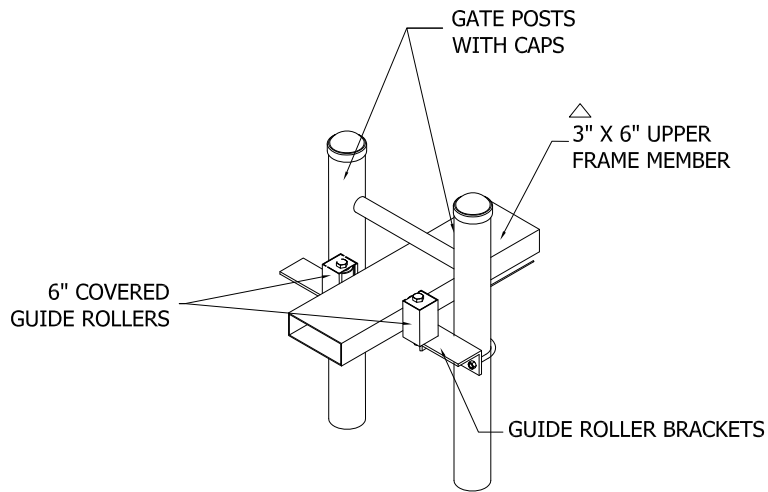


DRAWN	JH	11/22/2013
CHECKED	JK	11/22/2013
APPROVED	JK	11/22/2013
SHEET	1 OF 2	

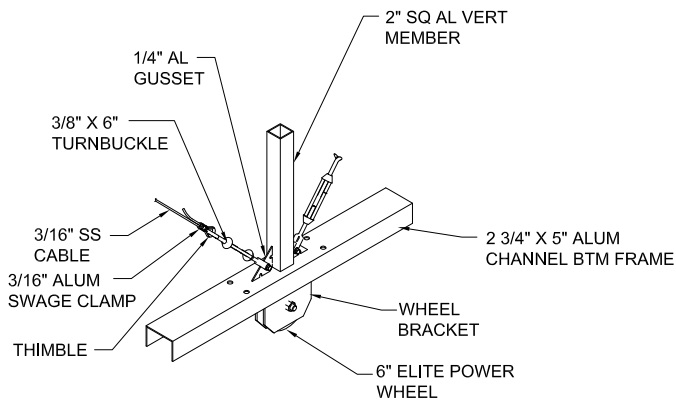
JAMIESON MANUFACTURING CO.
4221 PLATINUM WAY, DALLAS, TX 75237
PH: (713) 434-7907 / (888) 286-3362
email: gates@jamiesonfence.com www.jamiesonfence.com

ValuTrac™ Series 3500
ALUMINUM V-TRACK SLIDE GATES
HEAVY INDUSTRIAL CONSTRUCTION
CHAIN LINK OPTION

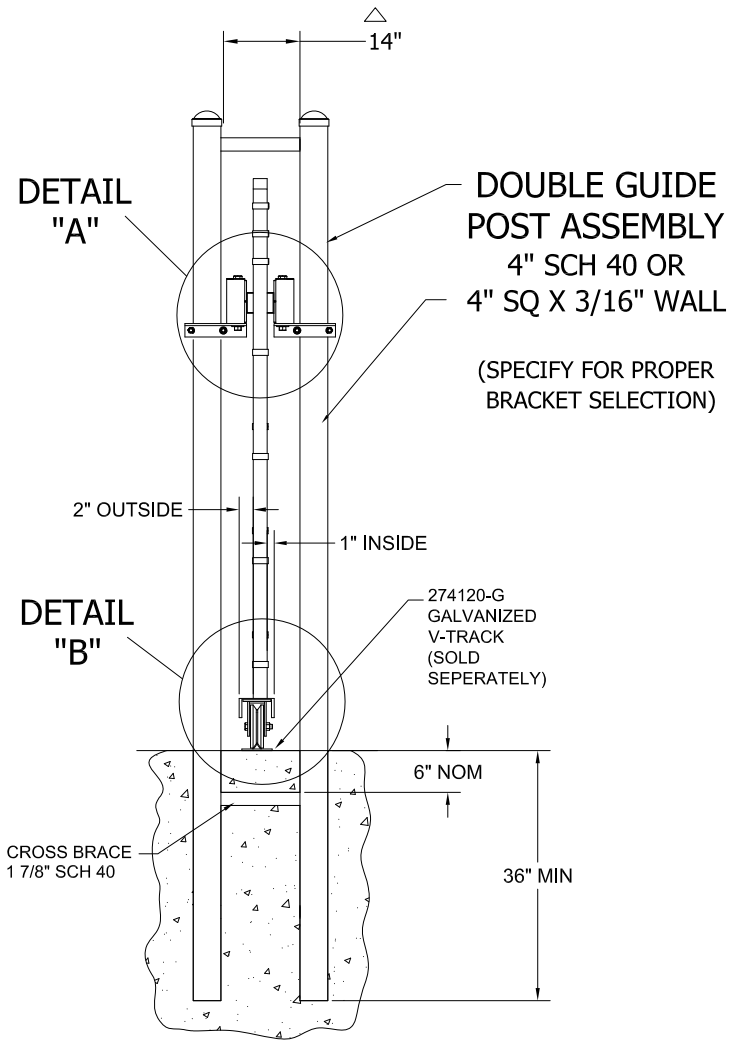
TITLE	VT3500_D
SIZE	C
SCALE	DWG NO
REV	C



**DETAIL "A"
TOP ROLLER GUIDES
(SOLD SEPERATELY)**



**DETAIL "B"
WHEEL WELL
POWER WHEEL & BRACKET ASSEMBLY
AND TRUSS CABLE ASSEMBLY**



**ROLL GATE
END VIEW**



DRAWN JH	11/22/2013	JAMIESON MANUFACTURING CO. 4221 PLATINUM WAY, DALLAS, TX 75237 PH: (713) 434-7907 / (888) 286-3362 email: gates@jamiesonfence.com www.jamiesonfence.com
CHECKED JK	11/22/2013	
APPROVED JK	11/22/2013	
SHEET 2 OF 2		ValuTrac™ Series 3500 ALUMINUM V-TRACK SLIDE GATES HEAVY INDUSTRIAL CONSTRUCTION CHAIN LINK OPTION
SIZE C	SCALE	DWG NO VT3500_D
		REV C