

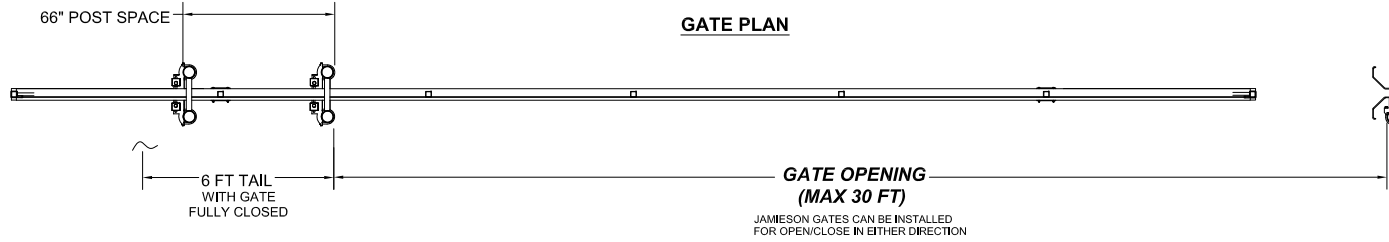
**OWNERSHIP OF DOCUMENTS:**

THIS DOCUMENT AND THE IDEAS AND DESIGNS INCORPORATED HEREIN, AS AN INSTRUMENT OF PROFESSIONAL SERVICE, IS THE PROPERTY OF JAMIESON MANUFACTURING CO. AND IS NOT TO BE USED IN WHOLE OR IN PART, FOR ANY OTHER PROJECT WITHOUT THE WRITTEN AUTHORIZATION OF JAMIESON MANUFACTURING CO.

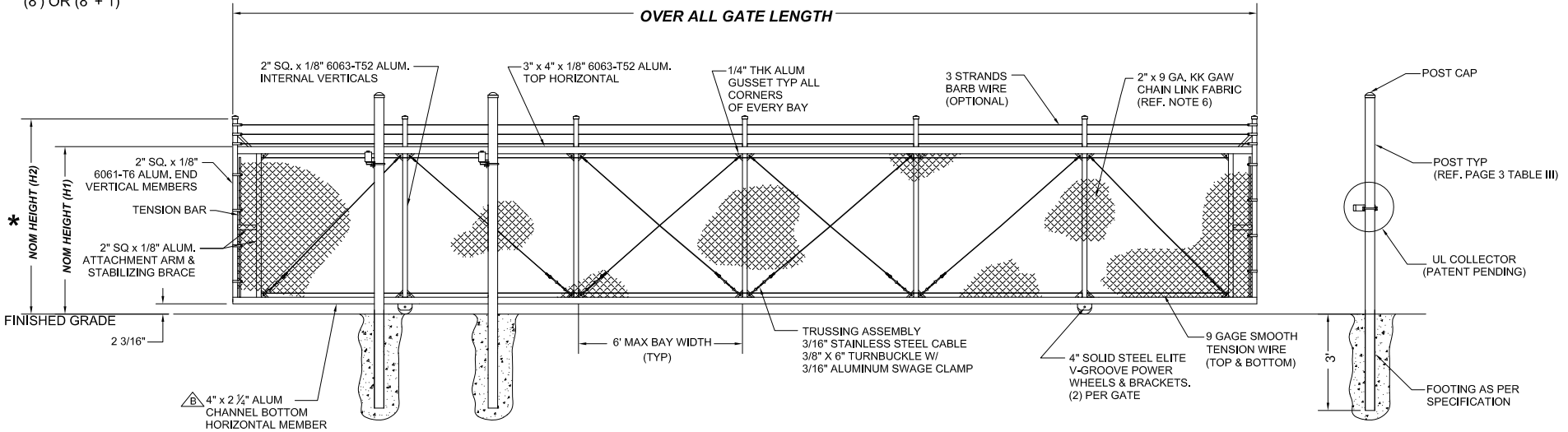
NOTE: GATE RIDES ON GALVANIZED STEEL V-TRACK #274120-G (SOLD SEPERATELY). TRACK LENGTH IS TO BE EQUAL TO GATE OPENING PLUS OVERALL LENGTH OF GATE. TRACK TO BE ANCHORED TO SOLID SURFACE & LEVEL GRADE

ZONE	REV.	DESCRIPTION	DATE	APPROVED
△	B	2 3/4" X 5" ALUM CHANNEL WAS 2" X 4" ALUM RECT TUBE	10/10/2011	
△	C	2" X 4" ALUM CHANNEL WAS 2 3/4" X 5" ALUM CHANNEL	11/22/2013	JK

LEGEND		
SHT	DESCRIPTION	LAYER
1	ELEVATION VIEW	SHT 1
2	END & ISO VIEW	SHT 2



**\* MAX GATE HEIGHT:**  
(8') OR (8' + 1)



**GATE ELEVATION**

(CHAIN LINK SHOWN FOR ORNAMENTAL FILLER MATLS. PLEASE CONTACT YOUR JAMIESON DEALER)

OPTIONAL GATE CRITERIA		
COLOR	FILLER	AUTOMATED

TO PLACE ORDER PLEASE COMPLETE THE TABLES BELOW:

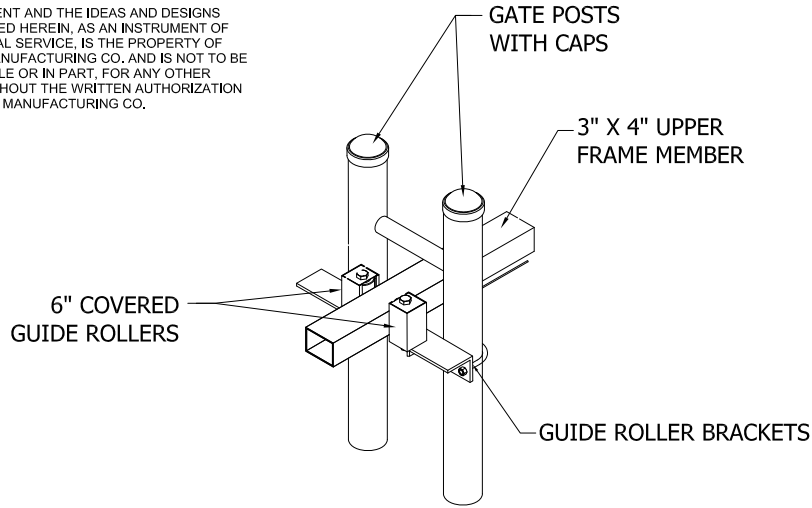
CUSTOMER GATE CRITERIA (PLEASE SEE PAGE 2 TABLE I)				
NOM HEIGHT (H1)	NOM HEIGHT (H2)	GATE OPENING	TRUCK POST SPACING	OVER ALL GATE LENGTH
	DRAWN JH	11/22/2013	<b>JAMIESON MANUFACTURING CO.</b> 4221 PLATINUM WAY, DALLAS, TX 75237 PH: (713) 434-7907 / (888) 286-3362 email: gates@jamiesonfence.com www.jamiesonfence.com	
	CHECKED JK	11/22/2013		
	APPROVED JK	11/22/2013		
	TITLE			
SHEET	1 OF 2	SIZE C	SCALE	DWG NO V2500_D
				REV B

**NOTES:**

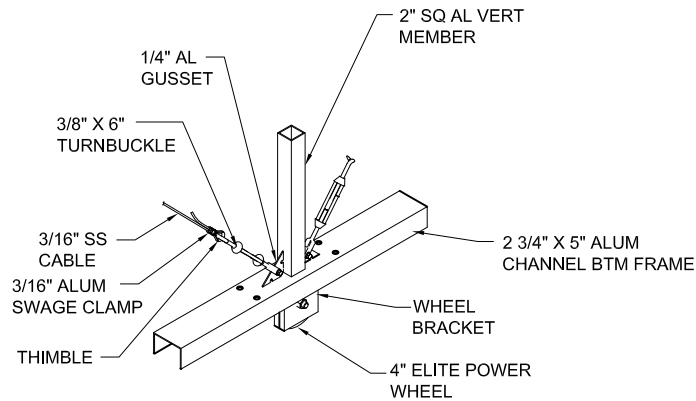
1. FRAME MATERIAL GRADE AS PER WRITTEN SPECIFICATIONS
2. POSTS AVAILABLE AS OPTION (REF. PG 2)
3. SPECIFY POST SIZE & TYPE AT TIME OF ORDER FOR APPROPRIATE HARDWARE. (REF. PG 2)
4. SPECIFICATIONS SHOWN CAN BE CHANGED BY THE MANUFACTUER ONLY.
5. ALL MATERIAL SHOWN SHALL BE NEW ALUMINUM UNLESS OTHERWISE NOTED.
6. 2" x 9 GA. GALVANIZED CHAINLINK FABRIC TO COVER THE ENTIRE LENGTH OF GATE. OPTIONAL FILLER MATERIALS AVAILABLE UPON REQUEST.

**OWNERSHIP OF DOCUMENTS:**

THIS DOCUMENT AND THE IDEAS AND DESIGNS INCORPORATED HEREIN, AS AN INSTRUMENT OF PROFESSIONAL SERVICE, IS THE PROPERTY OF JAMIESON MANUFACTURING CO. AND IS NOT TO BE USED IN WHOLE OR IN PART, FOR ANY OTHER PROJECT WITHOUT THE WRITTEN AUTHORIZATION OF JAMIESON MANUFACTURING CO.



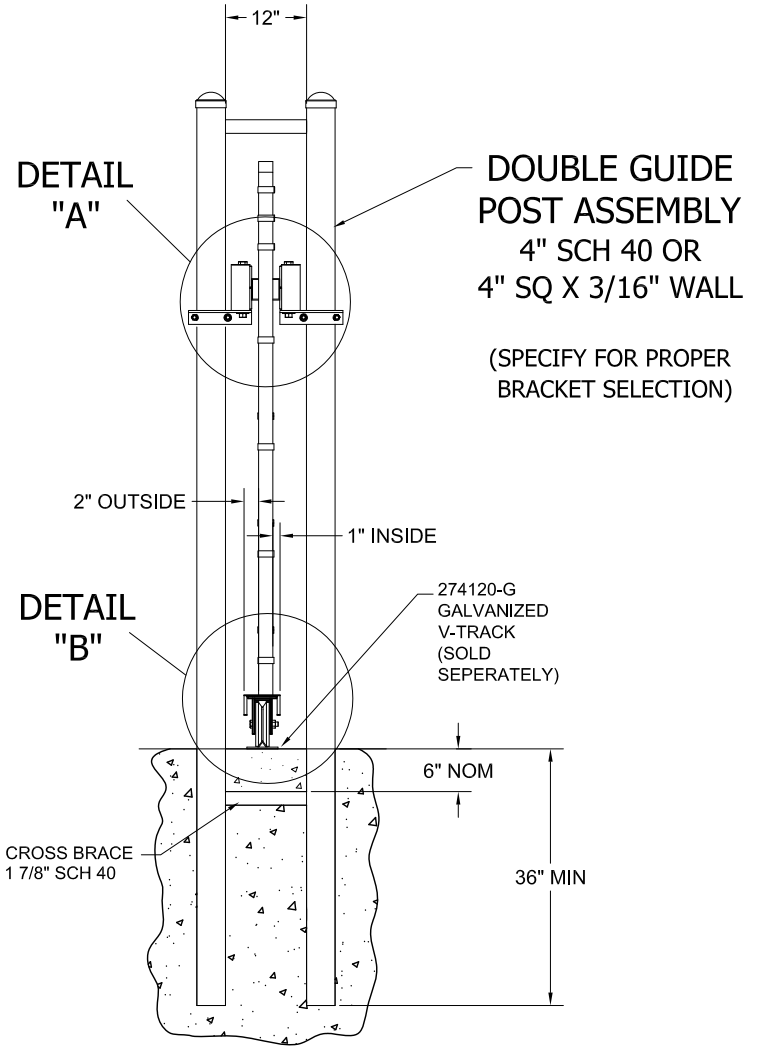
**DETAIL "A"**  
TOP ROLLER GUIDES  
(SOLD SEPERATELY)



**DETAIL "B"**  
WHEEL WELL  
POWER WHEEL & BRACKET ASSEMBLY  
AND TRUSS CABLE ASSEMBLY

ZONE	REV.	DESCRIPTION	DATE	APPROVED
△	B	2 3/4" X 5" ALUM CHANNEL WAS 2" X 4" ALUM RECT TUBE	10/10/2011	
△	C	2" X 4" ALUM CHANNEL WAS 2 3/4" X 5" ALUM CHANNEL	11/22/2013	JK

LEGEND		
SHT	DESCRIPTION	LAYER
1	ELEVATION VIEW	SHT 1
2	END & ISO VIEW	SHT 2



**ROLL GATE**  
END VIEW



DRAWN	JH	11/22/2013
CHECKED	JK	11/22/2013
APPROVED	JK	11/22/2013
SHEET	2 OF 2	

TITLE	ValuTrac™ Series 2500 ALUMINUM V-TRACK SLIDE GATES HEAVY INDUSTRIAL CONSTRUCTION CHAIN LINK OPTION		
SIZE	SCALE	DWG NO	REV
C		V2500_D	B