

OPTIONS:

Fence Heights:

- 4 ft
- 5 ft
- 6 ft
- 7 ft
- 8 ft

Post Option:

- 2-1/2" sq. 14 ga.
- 2-1/2" sq. 12 ga.
- 3" sq. 12 ga.

Picket Gauge:

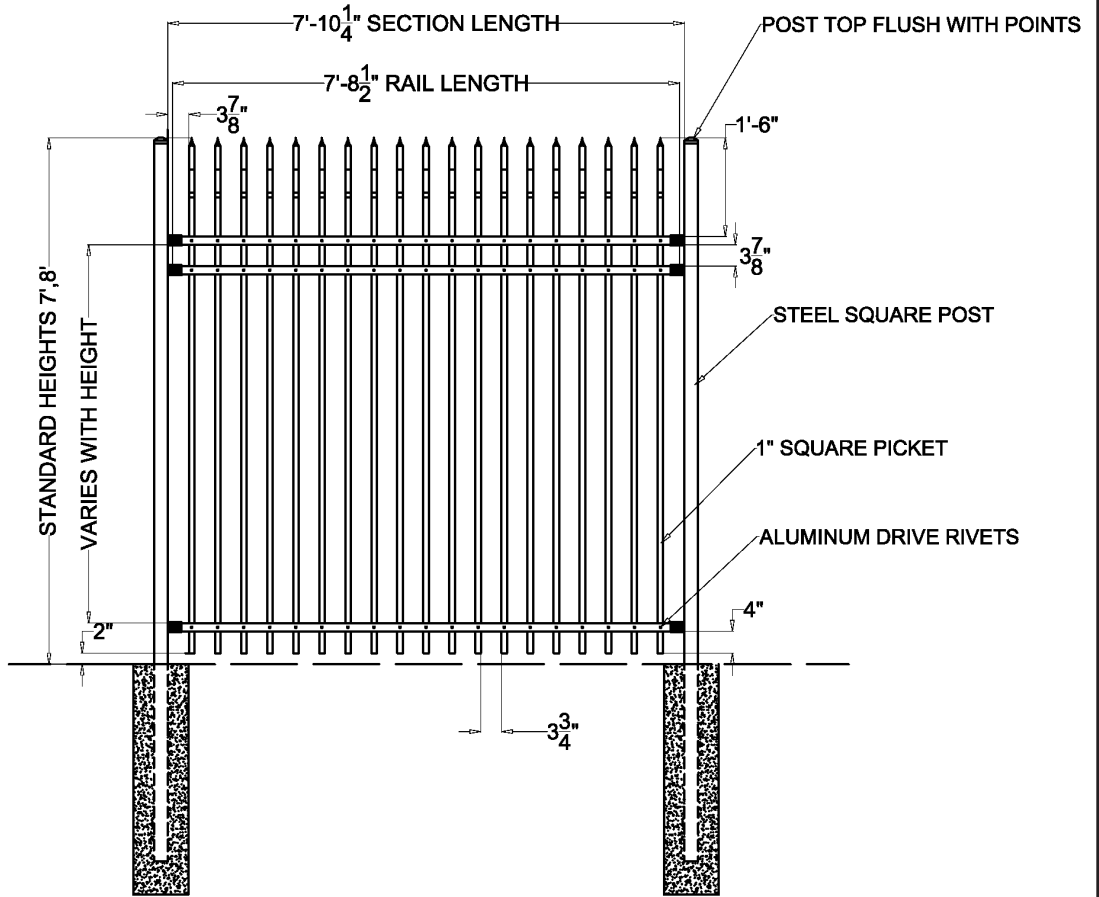
- 18 gauge
- 16 gauge
- 14 gauge

Cap Style:

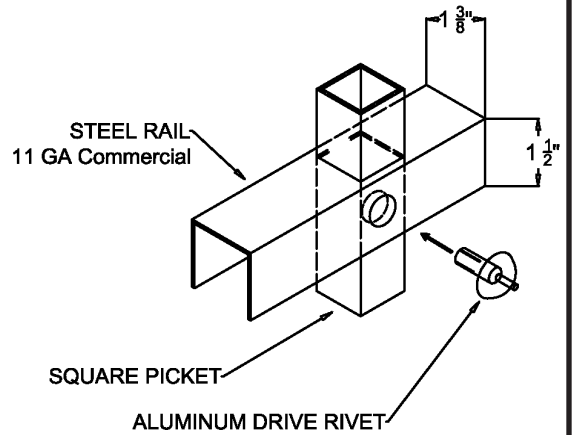
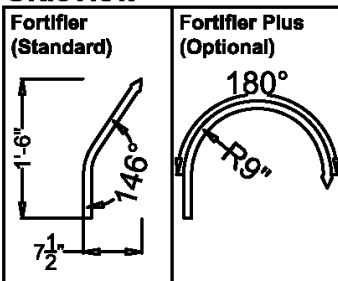
- Ball Style
- Flat Style

Color:

- Black (standard)
- Bronze
- Green
- White



Sideview



MONUMENTAL IRON WORKS

FORTIFIER - 1" PICKET PANEL

BY: es & sw

DATE: 5/7/18

REV:

REV DATE:

3010 Lyndon B. Johnson Fwy
 Ste. 800, Dallas, TX 75234
 www.masterhalco.com
 Phone No. 800-883-8384

Installer:

Project:

DWG:

PART NO: