

**OPTIONS:**

**Fence Heights:**

- 4 ft
- 5 ft
- 6 ft
- 7 ft
- 8 ft

**Post Option:**

- 2-1/2" sq. 14 ga.
- 2-1/2" sq. 12 ga.
- 3" sq. 12 ga.

**Picket Gauge:**

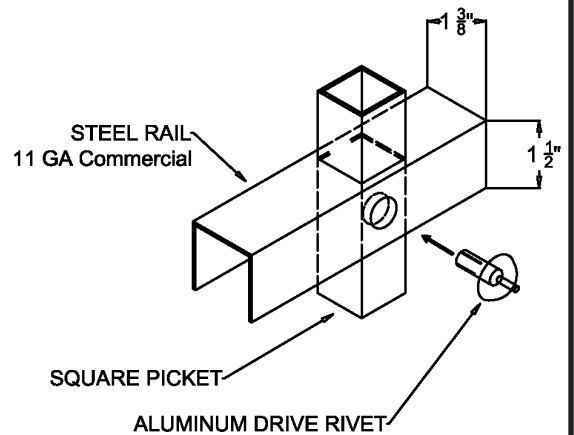
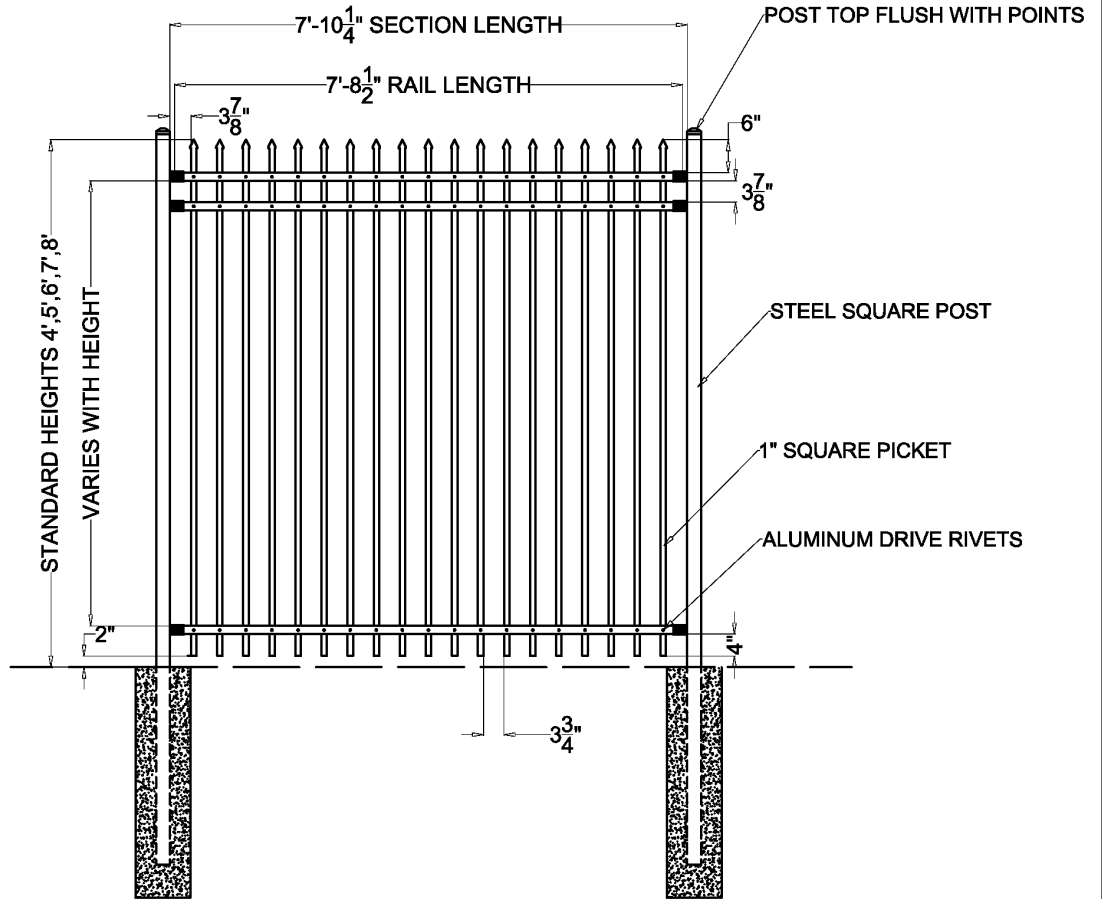
- 18 gauge
- 16 gauge
- 14 gauge

**Cap Style:**

- Ball Style
- Flat Style

**Color:**

- Black (standard)
- Bronze
- Green
- White



**MONUMENTAL IRON WORKS**

**ESTATE B - 1" PICKET PANEL**

BY: es & sw

DATE: 5/7/18

REV:

REV DATE:

3010 Lyndon B. Johnson Fwy  
 Ste. 800, Dallas, TX 75234  
 www.masterhalco.com  
 Phone No. 800-883-8384

Installer:

Project:

DWG:

PART NO: