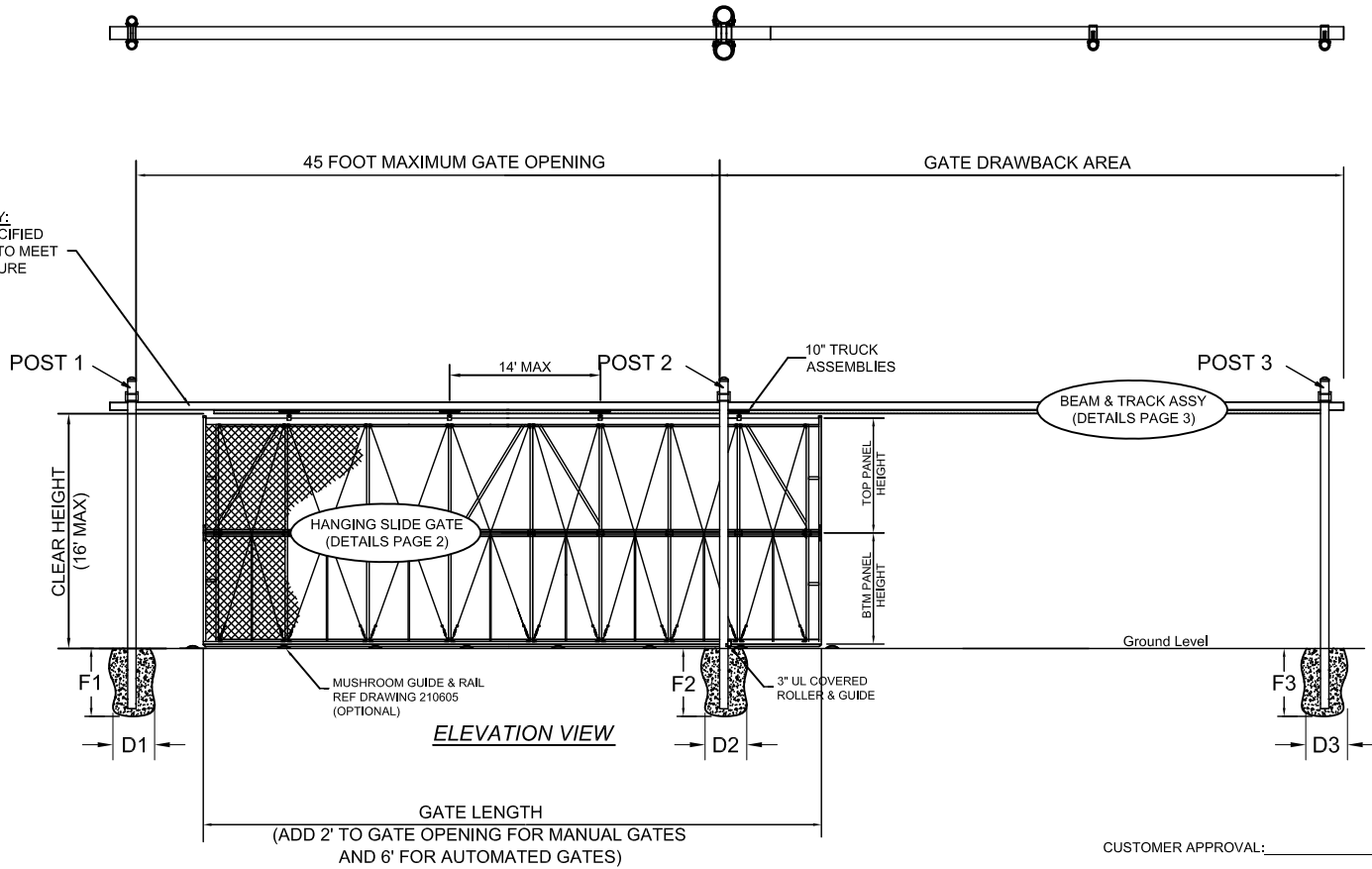


OWNERSHIP OF DOCUMENTS:

THIS DOCUMENT AND THE IDEAS AND DESIGNS INCORPORATED HEREIN, AS AN INSTRUMENT OF PROFESSIONAL SERVICE, IS THE PROPERTY OF JAMIESON MANUFACTURING CO. AND IS NOT TO BE USED IN WHOLE OR IN PART, FOR ANY OTHER PROJECT WITHOUT THE WRITTEN AUTHORIZATION OF JAMIESON MANUFACTURING CO.

**GATE SPECIFICATION & DESIGN
TO [90] [110] MPH @ WIND EXPOSURE "C"**

PLAN VIEW



- NOTES:**
1. ALL MATERIALS AS PER WRITTEN SPECIFICATIONS
 2. REF SLIDING GATE DETAILS
 - > SHEET 2A FOR ALUMINUM FRAME, FILLER FULL HT.
 - > SHEET 2A1 FOR ALUMINUM FRAME, FILLER PARTIAL HT
 3. REF SHEET 4 FOR I-BEAM & POST SIZE, POST SPACING & FOOTING DIAMETERS & DEPTHS
 4. ALL STEEL FRAMEWORK &/OR HARDWARE TO BE GALVANIZED PER ASTM F1083-97
 5. FILLER MATERIAL FULL LENGTH SO GATES CAN HANG ON EITHER SIDE OF GATE OPENING & OPEN IN EITHER DIRECTION.
 6. STANDARD FILLER MATERIAL IS 2" KK X 9 GAGE X 1.2 OZ GAW CHAIN LINK. ALTERNATIVE CHAIN LINK & ORNAMENTAL FILLER MATERIALS AVAILABLE.
 7. SPECIFICATIONS SHOWN CAN BE CHANGED BY THE MANUFACTURER ONLY.
 8. POWDER COATING AVAILABLE

CUSTOMER APPROVAL: _____
DATE: _____

TO PLACE ORDER PLEASE COMPLETE THE TABLE BELOW:

CUSTOMER GATE CRITERIA (REF PG 3 FOR POST OPTIONS)				
CLEAR HEIGHT	TOP PANEL HT	BTM PANEL HT	GATE OPENING	GATE LENGTH

LEGEND		
SHT	DESCRIPTION	LAYER
1	ELEVATION OVERVIEW	SHT1
2	GATE ELEV / ALUM FULL HEIGHT	SHT2A
3	POST / I-BEAM ELEV / ISO VIEWS	SHT3

	DRAWN J KETTERER	12/08/08	JAMIESON MANUFACTURING CO. 4221 PLATINUM WAY, DALLAS, TX 75237 PH: (713) 434-7907 / (888) 286-3362 email: gates@jamiesonfence.com www.jamiesonfence.com	
	CHECKED			
	APPROVED			
	TITLE			
I-Trac Series 6400 UNDER BEAM ALUMINUM STACKED GATES HEAVY INDUSTRIAL & SECURITY CONSTRUCTION FOR CLEAR HEIGHT UP TO 16' TALL & OPENINGS TO 45' CHAIN LINK OPTION				
SHEET 1 OF 3	SIZE A	SCALE 	DWG NO IT6400_D	REV A

2

1

B

B

A

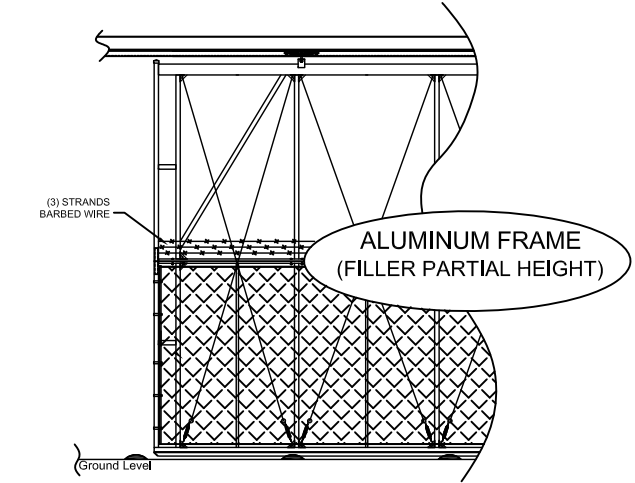
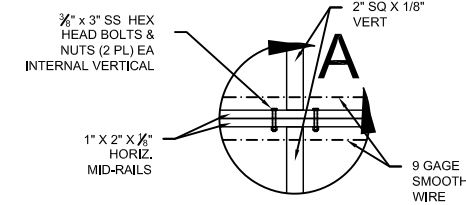
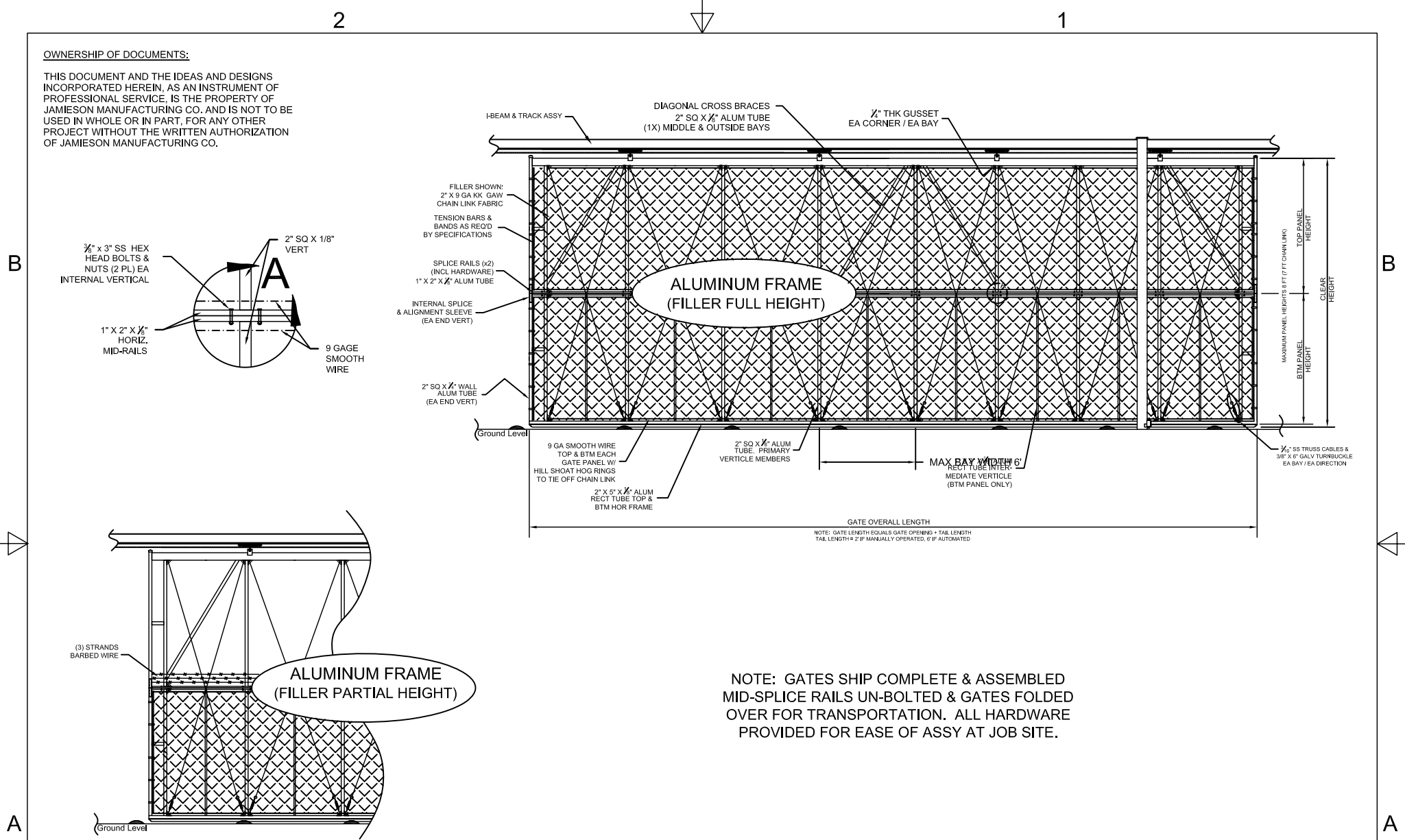
A

2

1

OWNERSHIP OF DOCUMENTS:

THIS DOCUMENT AND THE IDEAS AND DESIGNS INCORPORATED HEREIN, AS AN INSTRUMENT OF PROFESSIONAL SERVICE, IS THE PROPERTY OF JAMIESON MANUFACTURING CO. AND IS NOT TO BE USED IN WHOLE OR IN PART, FOR ANY OTHER PROJECT WITHOUT THE WRITTEN AUTHORIZATION OF JAMIESON MANUFACTURING CO.



NOTE: GATES SHIP COMPLETE & ASSEMBLED MID-SPLICE RAILS UN-BOLTED & GATES FOLDED OVER FOR TRANSPORTATION. ALL HARDWARE PROVIDED FOR EASE OF ASSY AT JOB SITE.

CUSTOMER APPROVAL: _____
DATE: _____

- NOTES:**
1. FRAME MATERIAL GRADE AS PER WRITTEN SPECIFICATIONS
 2. ALL MATERIAL SHOWN SHALL BE NEW ALUMINUM UNLESS OTHERWISE NOTED.
 3. REF SHEET 3 FOR BEAM & TRACK DETAIL
 4. REF SHEET 4 FOR POST DETAIL & SELECTION
 5. STANDARD FILLER MATERIAL IS 2\"/>

LEGEND		
SHT	DESCRIPTION	LAYER
1	ELEVATION OVERVIEW	SHT 1
2	GATE ELEV / ALUM FULL HEIGHT	SHT 2A
3	POST / I-BEAM ELEV / ISO VIEWS	SHT 3

	DRAWN J KETTERER	12/08/08	JAMIESON MANUFACTURING CO. 4221 PLATINUM WAY, DALLAS, TX 75237 PH: (713) 434-7907 / (888) 286-3362 email: gates@jamiesonfence.com www.jamiesonfence.com	
	CHECKED			
	APPROVED		TITLE I-Trac Series 6400 UNDER BEAM ALUMINUM STACKED GATES HEAVY INDUSTRIAL & SECURITY CONSTRUCTION FOR CLEAR HEIGHT UP TO 16' TALL & OPENINGS TO 45' CHAIN LINK OPTION	
	SHEET 2 OF 3	SIZE A		

2

1

B

B

A

A

2

1

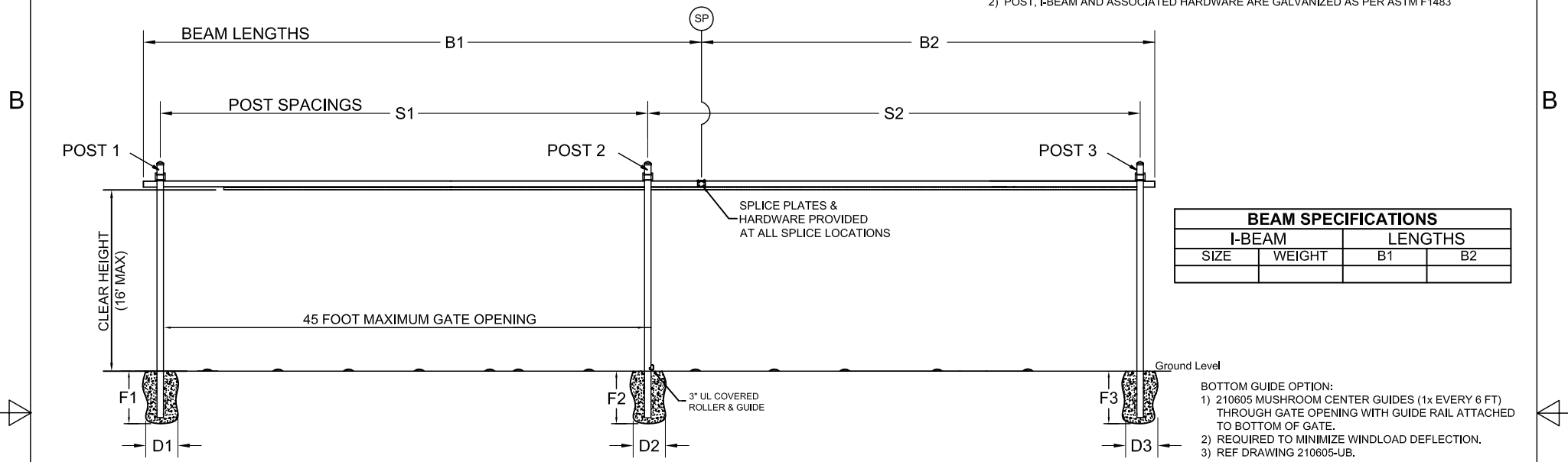
OWNERSHIP OF DOCUMENTS:

THIS DOCUMENT AND THE IDEAS AND DESIGNS INCORPORATED HEREIN, AS AN INSTRUMENT OF PROFESSIONAL SERVICE, IS THE PROPERTY OF JAMIESON MANUFACTURING CO. AND IS NOT TO BE USED IN WHOLE OR IN PART, FOR ANY OTHER PROJECT WITHOUT THE WRITTEN AUTHORIZATION OF JAMIESON MANUFACTURING CO.

NOTE: SP DENOTES I-BEAM SPLICE LOCATIONS (ALL SPLICE PLATES & HARDWARE PROVIDED)

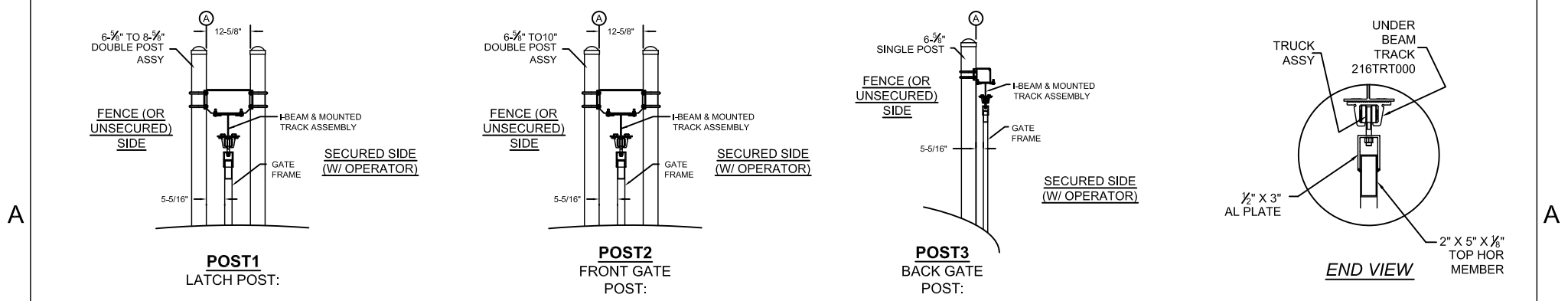
WIND SPEED (MPH)	FILLER HEIGHT	POST & FOOTING DETAIL										
		POST 1 - LATCH POST			POST 2 - FRONT GATE POST			POST 3 - BACK GATE POST				
		SIZE & TYPE	DEPTH	DIAMETER	POST SPACING	SIZE & TYPE	DEPTH	DIAMETER	POST SPACING	POST SPACING	SIZE & TYPE	DEPTH
		"F1"	"D1"	"S1"		"F2"	"D2"	"S2"	"S3"		"F3"	"D3"

NOTE:
 1) ALL POST WEIGHT IS SCHEDULE 40
 2) POST, I-BEAM AND ASSOCIATED HARDWARE ARE GALVANIZED AS PER ASTM F1483



BEAM SPECIFICATIONS			
I-BEAM		LENGTHS	
SIZE	WEIGHT	B1	B2

BOTTOM GUIDE OPTION:
 1) 210605 MUSHROOM CENTER GUIDES (1x EVERY 6 FT) THROUGH GATE OPENING WITH GUIDE RAIL ATTACHED TO BOTTOM OF GATE.
 2) REQUIRED TO MINIMIZE WINDLOAD DEFLECTION.
 3) REF DRAWING 210605-UB.



NOTE:
 1) ACTUAL SIZES OF POSTS AND I-BEAMS BASED ON WIND VELOCITY, EXPOSURE LEVELS & GATE FILLER HEIGHT. CONTACT MANUFACTURER FOR REQUIREMENT.
 2) ALL STEEL GALVANIZED AS PER ASTM F1483
 3) ALIGN INSIDE FACE (A) OF ALL POSTS

LEGEND		
SHT	DESCRIPTION	LAYER
1	ELEVATION OVERVIEW	SHT 1
2	GATE ELEV / ALUM FULL HEIGHT	SHT 2A
3	POST / I-BEAM ELEV / ISO VIEWS	SHT 3

	DRAWN	J KETTERER	12/08/08	JAMIESON MANUFACTURING CO. 4221 PLATINUM WAY, DALLAS, TX 75237 PH: (713) 434-7907 / (888) 286-3362 email: gates@jamiesonfence.com www.jamiesonfence.com				
	CHECKED							
	APPROVED							
	TITLE	I-Trac Series 6400 UNDER BEAM ALUMINUM STACKED GATES HEAVY INDUSTRIAL & SECURITY CONSTRUCTION FOR CLEAR HEIGHT UP TO 16' TALL & OPENINGS TO 45' CHAIN LINK OPTION						
SHEET	3 OF 3	SIZE	A	SCALE	DWG NO	IT6400 D	REV	A