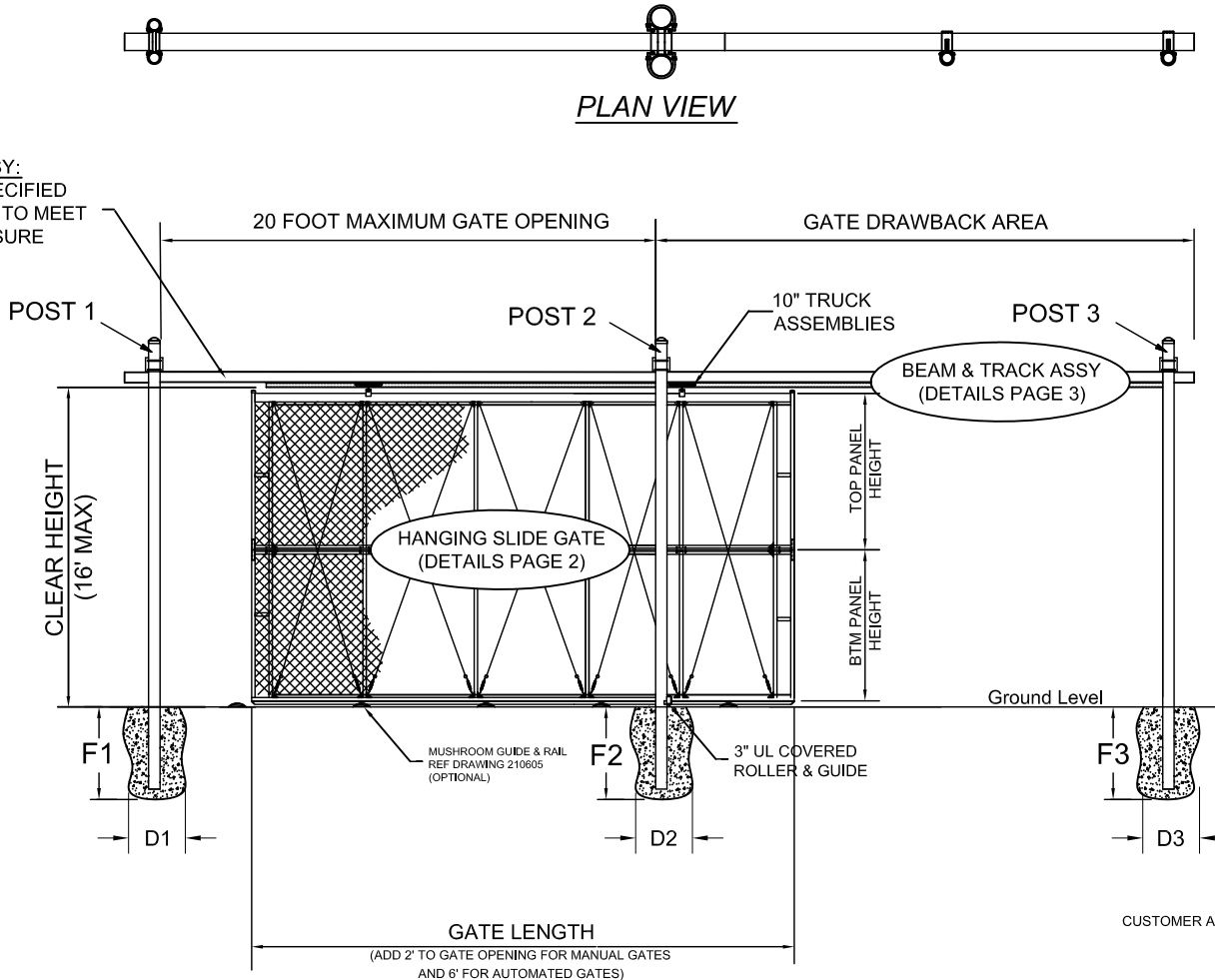


**GATE SPECIFICATION & DESIGN  
TO [90] [110] MPH @ WIND EXPOSURE "C"**

**OWNERSHIP OF DOCUMENTS:**

THIS DOCUMENT AND THE IDEAS AND DESIGNS INCORPORATED HEREIN, AS AN INSTRUMENT OF PROFESSIONAL SERVICE, IS THE PROPERTY OF JAMIESON MANUFACTURING CO. AND IS NOT TO BE USED IN WHOLE OR IN PART, FOR ANY OTHER PROJECT WITHOUT THE WRITTEN AUTHORIZATION OF JAMIESON MANUFACTURING CO.

PLAN VIEW

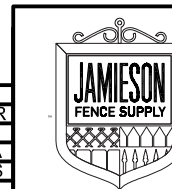


ELEVATION VIEW

**NOTES:**

1. ALL MATERIALS AS PER WRITTEN SPECIFICATIONS
2. REF SLIDING GATE DETAILS  
 > SHEET 2A FOR ALUMINUM FRAME, FILLER FULL & HALF HT.  
 > SHEET 2S FOR STEEL FRAME, FILLER FULL & HALF HT.
3. REF SHEET 3 FOR I-BEAM & POST SIZE, POST SPACING & FOOTING DIAMETERS & DEPTHS
4. ALL STEEL FRAMEWORK &/OR HARDWARE TO BE GALVANIZED PER ASTM F1083-97
5. FILLER MATERIAL FULL LENGTH SO GATES CAN HANG ON EITHER SIDE OF GATE OPENING & OPEN IN EITHER DIRECTION.
6. STANDARD FILLER MATERIAL IS 2" KK X 9 GAGE X 1.2 OZ GAW CHAIN LINK. ALTERNATIVE CHAIN LINK & ORNAMENTAL FILLER MATERIALS AVAILABLE.
7. SPECIFICATIONS SHOWN CAN BE CHANGED BY THE MANUFACTURER ONLY.
8. POWDER COATING AVAILABLE

LEGEND		
SHT	DESCRIPTION	LAYER
1	ELEVATION OVERVIEW	SHT1
2	ELEV - ALUM FULL & HALF HEIGHT	SHT2A
3	ELEV - STEEL FULL & HALF HEIGHT	SHT2S
4	POST / I-BEAM ELEV/ISO VIEWS	SHT3



DRAWN J KETTERER		12/08/08		JAMIESON MANUFACTURING CO. 4221 PLATINUM WAY, DALLAS, TX 75237 PH: (713) 434-7907 / (888) 286-3362 email: gates@jamiesonfence.com www.jamiesonfence.com	
CHECKED				TITLE <b>I-Trac Series 6200</b> OVERHEAD I-BEAM SLIDING GATES HEAVY INDUSTRIAL & SECURITY CONSTRUCTION FOR CLEAR HEIGHT UP TO 16' TALL & OPENINGS TO 20' CHAIN LINK OPTION	
APPROVED				SIZE SCALE DWG NO A	
SHEET 1 OF 4				REV A	

TO PLACE ORDER PLEASE COMPLETE THE TABLE BELOW:

CUSTOMER GATE CRITERIA (REF PG 3 FOR POST OPTIONS)				
CLEAR HEIGHT	TOP PANEL HT	BTM PANEL HT	GATE OPENING	GATE LENGTH

CUSTOMER APPROVAL: \_\_\_\_\_

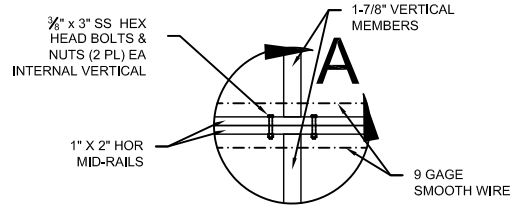
DATE: \_\_\_\_\_



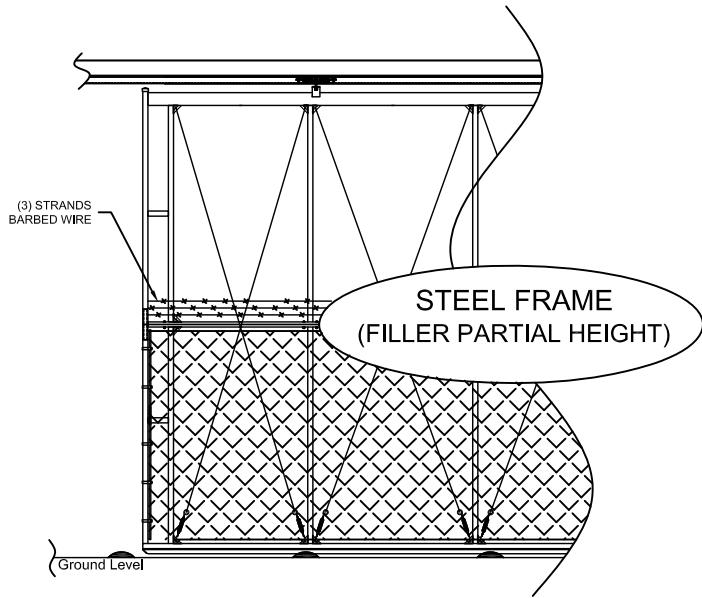
**OWNERSHIP OF DOCUMENTS:**

THIS DOCUMENT AND THE IDEAS AND DESIGNS INCORPORATED HEREIN, AS AN INSTRUMENT OF PROFESSIONAL SERVICE, IS THE PROPERTY OF JAMIESON MANUFACTURING CO. AND IS NOT TO BE USED IN WHOLE OR IN PART, FOR ANY OTHER PROJECT WITHOUT THE WRITTEN AUTHORIZATION OF JAMIESON MANUFACTURING CO.

B



A



- FILLER SHOWN:  
2" X 9 GA KK GAW CHAIN LINK FABRIC
- TENSION BARS & BANDS AS REQ'D BY SPECIFICATIONS
- SPLICE RAILS (x2) (INCL HARDWARE)  
1" X 2" X 16 GAUGE STEEL RECT TUBE
- INTERNAL SPLICE & ALIGNMENT SLEEVE (EA END VERT)

- 2-3/8" Ø STD STEEL TUBE (EA END VERT)
- 9 GA SMOOTH WIRE TOP & BTM EACH GATE PANEL W/ HILL SHOAT HOG RINGS TO TIE OFF CHAIN LINK
- 1-7/8" Ø STD STEEL TUBE. PRIMARY VERTICAL MEMBERS
- 2-3/8" Ø STD STEEL TUBE BOTTOM HOR FRAME

I-BEAM & TRACK ASSY

1/4" THK GUSSET EA CORNER / EA BAY

2-3/8" Ø STD STEEL TUBE TOP HOR FRAME

**STEEL FRAME (FILLER FULL HEIGHT)**

GATE OVERALL LENGTH

NOTE: GATE LENGTH EQUALS GATE OPENING + TAIL LENGTH  
TAIL LENGTH = 2' IF MANUALLY OPERATED, 6' IF AUTOMATED

MAX BAY WIDTH 6'

MAXIMUM PANEL HEIGHTS 8 FT (7 FT CHAIN LINK)

TOP PANEL HEIGHT

CLEAR HEIGHT

BTM PANEL HEIGHT

3/8" SS TRUSS CABLES & 3/8" X 6" GALV TURNBUCKLE EA BAY / EA DIRECTION

NOTE: GATES SHIP COMPLETE & ASSEMBLED MID-SPLICE RAILS UN-BOLTED & GATES FOLDED OVER FOR TRANSPORTATION. ALL HARDWARE PROVIDED FOR EASE OF ASSY AT JOB SITE.

CUSTOMER APPROVAL: \_\_\_\_\_  
DATE: \_\_\_\_\_

- NOTES:**
1. FRAME MATERIAL GRADE AS PER WRITTEN SPECIFICATIONS
  2. ALL MATERIAL SHOWN SHALL BE NEW ALUMINUM UNLESS OTHERWISE NOTED.
  3. REF SHEET 2 FOR ALUMINUM DETAIL
  4. REF SHEET 4 FOR POST DETAIL & SELECTION
  5. STANDARD FILLER MATERIAL IS 2" KK X 9 GAGE X 1.2 OZ GAW CHAIN LINK. ALTERNATIVE CHAIN LINK & ORNAMENTAL FILLER MATERIALS AVAILABLE.
  6. SPECIFICATIONS SHOWN CAN BE CHANGED BY THE MANUFACTUER ONLY.
  7. POWDER COATING AVAILABLE

LEGEND		
SHT	DESCRIPTION	LAYER
1	ELEVATION OVERVIEW	SHT1
2	ELEV - ALUM FULL & HALF HEIGHT	SHT2A
3	ELEV - STEEL FULL & HALF HEIGHT	SHT2S
4	POST / I-BEAM ELEV/ ISO VIEWS	SHT3



DRAWN J KETTERER	12/08/08	JAMIESON MANUFACTURING CO. 4221 PLATINUM WAY, DALLAS, TX 75237 PH: (713) 434-7907 / (888) 386-3362 email: gates@jamiesonfence.com www.jamiesonfence.com
CHECKED		
APPROVED		TITLE <b>I-Trac Series 6200</b> OVERHEAD I-BEAM SLIDING GATES HEAVY INDUSTRIAL & SECURITY CONSTRUCTION FOR CLEAR HEIGHT UP TO 16' TALL & OPENINGS TO 20' CHAIN LINK OPTION
SHEET 3 OF 4	SIZE A	SCALE DWG NO IT6200_D
		REV A

2

1

2

1

**OWNERSHIP OF DOCUMENTS:**

THIS DOCUMENT AND THE IDEAS AND DESIGNS INCORPORATED HEREIN, AS AN INSTRUMENT OF PROFESSIONAL SERVICE, IS THE PROPERTY OF JAMIESON MANUFACTURING CO. AND IS NOT TO BE USED IN WHOLE OR IN PART, FOR ANY OTHER PROJECT WITHOUT THE WRITTEN AUTHORIZATION OF JAMIESON MANUFACTURING CO.

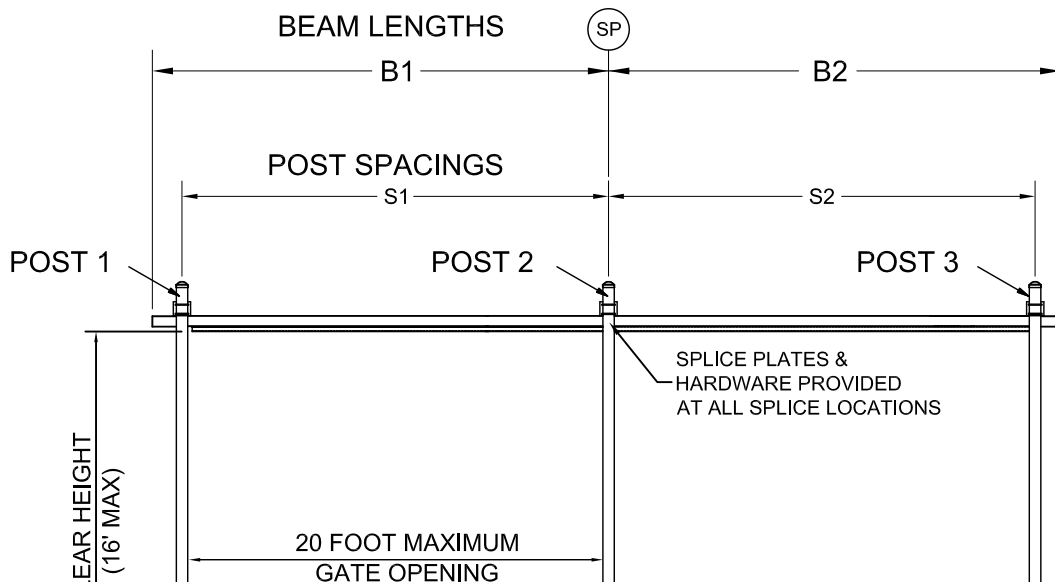
**NOTE: SP DENOTES I-BEAM SPLICE LOCATIONS (ALL SPLICE PLATES & HARDWARE PROVIDED)**

POST & FOOTING DETAIL													
WIND SPEED (MPH)	FILLER HEIGHT	POST 1 - LATCH POST			POST 2 - FRONT GATE POST			POST SPACING	POST SPACING	POST 3 - BACK GATE POST			
		SIZE & TYPE	FOOTING		POST SPACING	SIZE & TYPE	FOOTING			SIZE & TYPE	FOOTING		
			DEPTH	DIAMETER			DEPTH				DIAMETER	DEPTH	DIAMETER
'F1'	'D1'	'S1'	'F2'	'D2'	'S2'	'S3'	'F3'	'D3'					

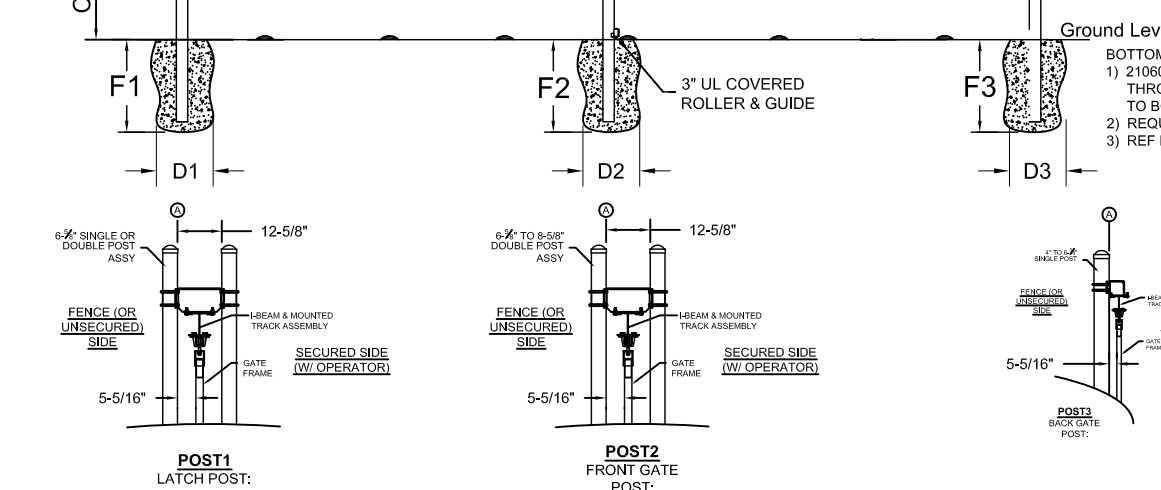
**NOTE:**  
 1) ALL POST WEIGHT IS SCHEDULE 40  
 2) POST, I-BEAM AND ASSOCIATED HARDWARE ARE GALVANIZED AS PER ASTM F1483

B

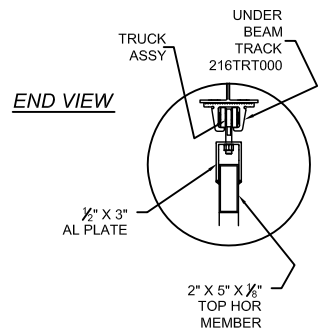
B



BEAM SPECIFICATIONS			
I-BEAM		LENGTHS	
SIZE	WEIGHT	B1	B2



**BOTTOM GUIDE OPTION:**  
 1) 210605 MUSHROOM CENTER GUIDES (1x EVERY 6 FT) THROUGH GATE OPENING WITH GUIDE RAIL ATTACHED TO BOTTOM OF GATE.  
 2) REQUIRED TO MINIMIZE WINDLOAD DEFLECTION.  
 3) REF DRAWING 210605-UB.



A

A

**NOTE:**  
 1) ACTUAL SIZES OF POSTS AND I-BEAMS BASED ON WIND VELOCITY, EXPOSURE LEVELS & GATE FILLER HEIGHT. CONTACT MANUFACTURER FOR REQUIREMENT.  
 2) ALL STEEL GALVANIZED AS PER ASTM F1483

3) ALIGN INSIDE FACE (A) OF ALL POSTS

LEGEND		
SHT	DESCRIPTION	LAYER
1	ELEVATION OVERVIEW	SHT1
2	ELEV - ALUM FULL & HALF HEIGHT	SHT2A
3	ELEV - STEEL FULL & HALF HEIGHT	SHT2S
4	POST / I-BEAM ELEV/ISO VIEWS	SHT3



DRAWN	J KETTERER	12/08/08
CHECKED		
APPROVED		
SHEET	4 OF 4	

JAMIESON MANUFACTURING CO. 4221 PLATINUM WAY, DALLAS, TX 75237 PH: (713) 434-7907 / (888) 286-3362 email: gates@jamiesonfence.com www.jamiesonfence.com		
TITLE <b>I-Trac Series 6200</b> OVERHEAD I-BEAM SLIDING GATES HEAVY INDUSTRIAL & SECURITY CONSTRUCTION FOR CLEAR HEIGHT UP TO 16' TALL & OPENINGS TO 20' CHAIN LINK OPTION		
SIZE	SCALE	DWG NO
A		IT6200_D
REV		A