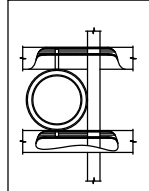


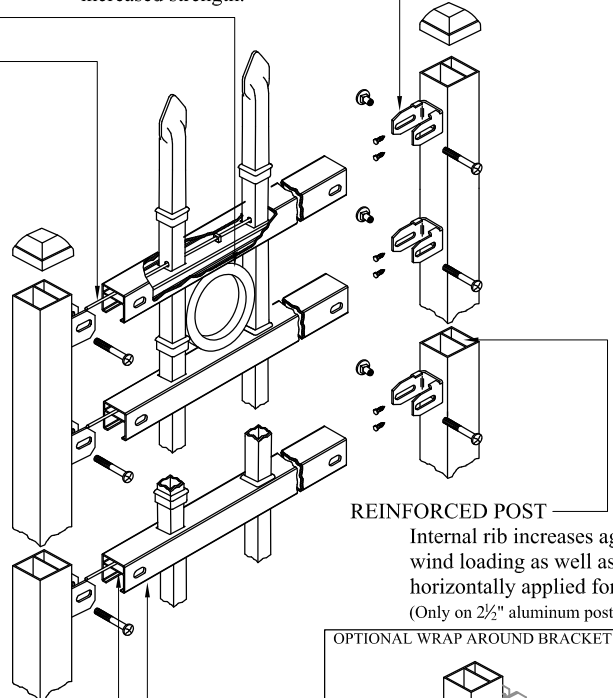
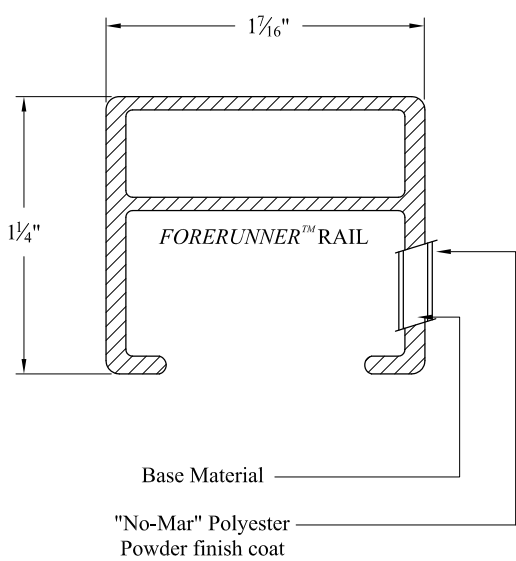
- NOTES:**
- 1.) Post size depends on fence height and wind loads. See **ECHELON Plus™** post sizing chart.
 - 2.) Panels also available for 6' on center post spacing
 - 3.) Additional heights available on request
 - 4.) Fourth rail optional.

RING OPTION
 Held in place with upper and lower internal retaining rods to eliminate unsightly external fasteners.



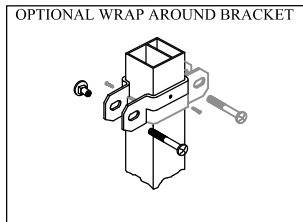
PANEL BRACKET
 Specially designed two-point connection ensures fixity of rail ends for increased strength.

INTERNAL RETAINING ROD
 Variable pitch connection system for ease of installation, high angle bias ability and elimination of unsightly external fasteners.



INTERIOR GUIDE CHANNEL
 Channel forms lower limit of raceway for retaining rod and allows for high angle bias ability.

FORERUNNER™ RAIL
 "U"-Channel specially formed high strength architectural shape.



Values shown are nominal and not to be used for installation purposes. See product specification for installation requirements.

COMMERCIAL STRENGTH ALUMINUM

Title: **ECHELON PLUS CLASSIC 3/4-RAIL W/RING OPTION**

DR: CI	SH . 1 of 1	SCALE: DO NOT SCALE
CK: BS	Date 11-8-11	REV: e



AMERISTAR®

1555 N. Mingo
 Tulsa, OK 74116
 1-888-333-3422
 www.ameristarfence.com