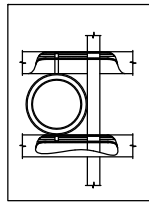


**NOTES:**

- 1.) Post size depends on fence height and wind loads. See ECHELON Plus post sizing chart.
- 2.) Panels also available for 6' on center post spacing
- 3.) Monarch is 2 rail, and Majestic is 3 rail style.
- 4.) Monarch only available in 6' wide

**RING OPTION**

Held in place with upper and lower internal retaining rods to eliminate unsightly external fasteners.

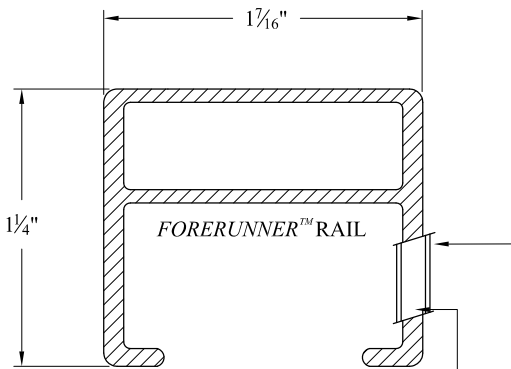


**PANEL BRACKET**

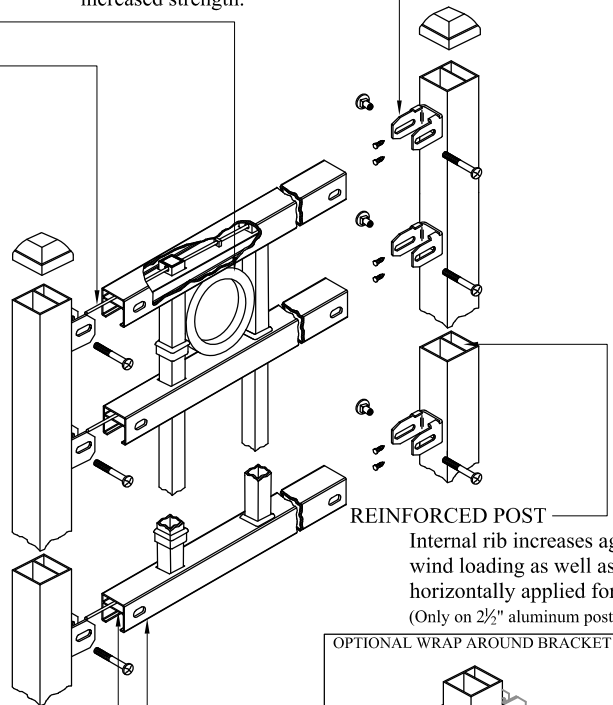
Specially designed two-point connection ensures fixity of rail ends for increased strength.

**INTERNAL RETAINING ROD**

Variable pitch connection system for ease of installation, high angle bias ability and elimination of unsightly external fasteners.



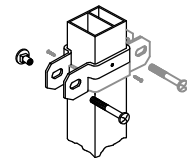
Base Material  
"No-Mar" Polyester Powder finish coat



**REINFORCED POST**

Internal rib increases against wind loading as well as other horizontally applied forces (Only on 2 1/2" aluminum posts).

**OPTIONAL WRAP AROUND BRACKET**



Values shown are nominal and not to be used for installation purposes. See product specification for installation requirements.

**COMMERCIAL STRENGTH ALUMINUM**

Title: **ECHELON PLUS MONARCH & MAJESTIC 2/3RAIL POOL**

DR: jf	SH . 1 of 1	SCALE: DO NOT SCALE
CK: BS	Date 05-23-14	REV: E



**AMERISTAR®**

1555 N. Mingo  
Tulsa, OK 74116  
1-888-333-3422  
www.ameristarfence.com