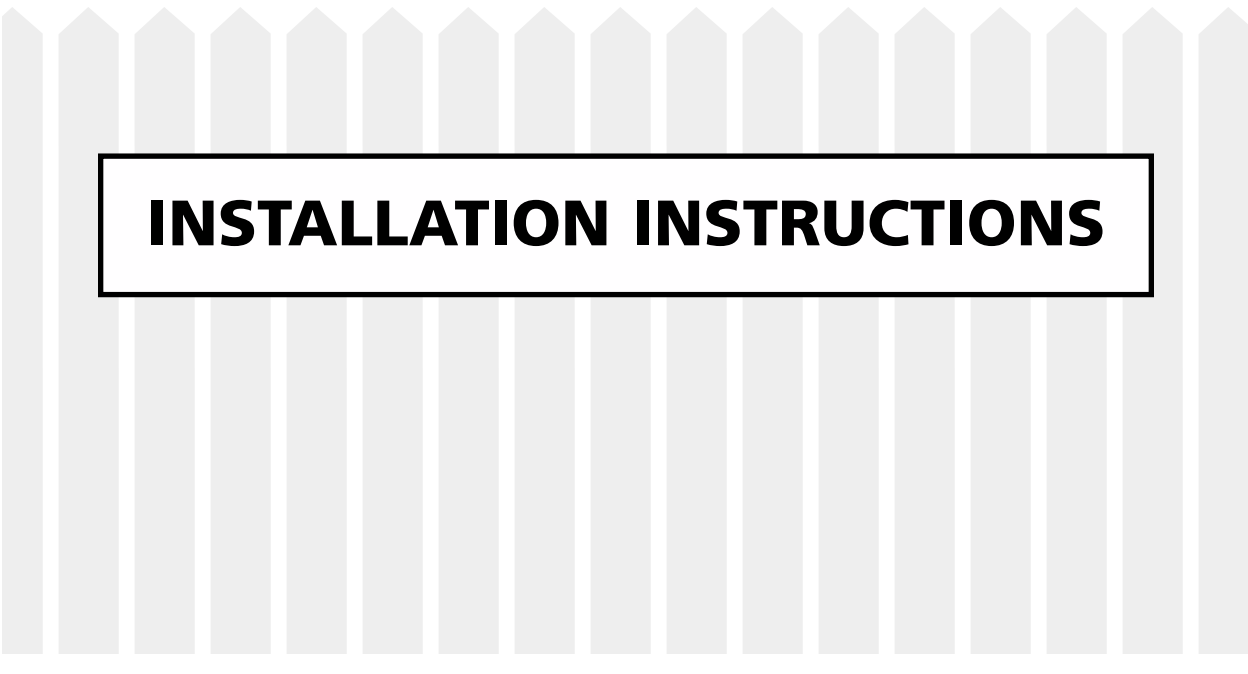




STEEL POST FOR WOOD FENCE SYSTEMS



INSTALLATION INSTRUCTIONS



First Because They Last.™

IMPORTANT

Before beginning installation, check to ensure that fence footings do not exceed legally established property lines, and that your fence will conform to local code specifications regarding frontage locations and allowable fence heights. Also verify that your local community has no restrictions on any materials or designs you plan to use. And be sure to check with local utility companies including water, gas, electricity and sewage for the locations of underground cables or pipelines.

BEFORE YOU BEGIN

Read this instruction sheet completely before starting work. Precisely mark the fence layout – it's the critical first step on which a quality installation depends. Note that posts for the inline fence system should be spaced 97-1/2" on center, $\pm 1/8"$ when using 8 foot 2 x 4 rails. The exact spacing may be modified depending on rails used. Post spacing will also be affected by sloping ground.

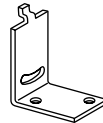
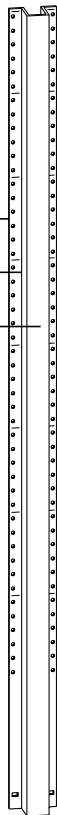
FENCE COMPONENTS

PostMaster Post
(U.S. Patents 6,173,945
and 6,530,561)

1" Flange

1-5/8" Rail Pocket

Hat Section



Corner
Postclip
#633675



Rail Screw #10 x 1-1/4"
#633671
(may be substituted
for Rail Screw #8)



Rail Screw #8 x 1-1/4"
#633670



Cover Screw #8 x 3/4"
#633669



Hex Head Gate Post Screw
#12 x 1/2"
#633673

1 PREPARE FENCE LAYOUT

STEP 1

Locate the property's boundary lines.

STEP 2

Measure the overall length of your planned fence and determine how many fence sections you will need – placing posts 8 feet apart will provide the most economical spacing. To make the fence come out even with the length of the layout, place shorter sections at the corners or near any gates or buildings.

STEP 3

Mark the location of each terminal post with a stake (corner, end, latch and gate posts are called *terminal* posts).

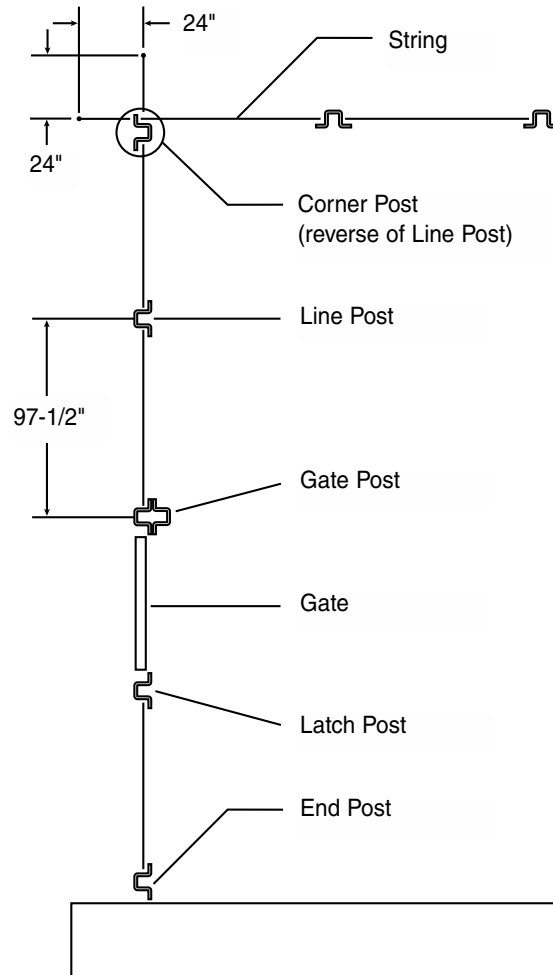


Figure 1

2

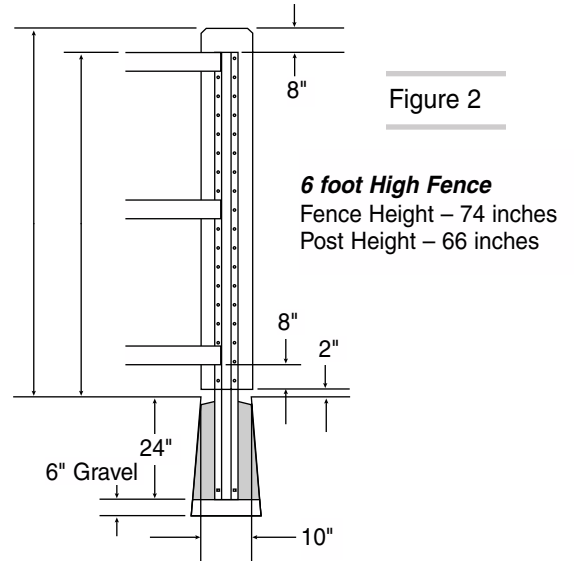
LOCATE AND SET POSTS

STEP 1

Dig terminal post and line post holes approximately 10" in diameter and 30" deep, with sloping sides (Fig. 2). The exact diameter and depth will be determined by local weather and soil conditions.

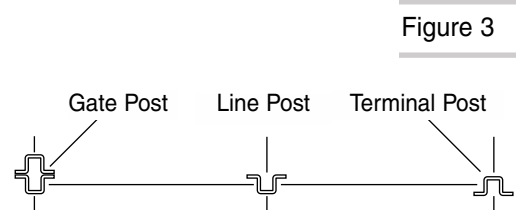
STEP 2

Typically, plan on positioning fence boards with their tops 8" above the top fence rail, leaving a 2" clearance between the fence board bottoms and the ground. Refer to guidelines for appropriate post positioning (Fig. 2).



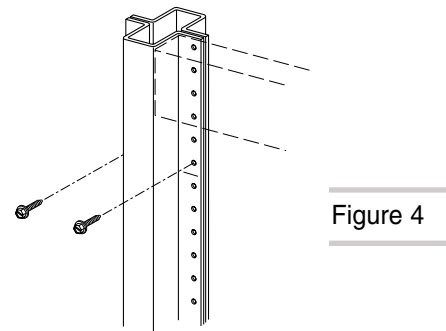
STEP 3

Position the terminal post in the hole. Center the post in the hole and ensure it is square with the fence line so the rails you attach to it will parallel the string line you'll install in STEP 5 (Fig. 3). Also ensure the post is plumb and set at the correct height. Block and support as necessary to preserve post position as installation continues. Surround post with concrete in a continuous pour. Trowel finish around post and slope downward to direct water away.



STEP 4

Set gate posts by fastening two PostMaster segments back-to-back with four #12 x 1/2" gate post screws. Put one screw in each flange, 6" below the upper edge of the top rail (Fig. 4). Put the remaining two screws in the flanges at points 6" above the base of the bottom rail. Place the assembled gate post in its hole, ensuring that its rail pockets will line up with rail pockets on adjacent line post when installed (Fig. 3).



2 LOCATE AND SET POSTS (continued)

STEP 5

When the terminal post footings have hardened enough to stabilize the posts, stretch a string line taut across the tops of the posts to mark the desired height of the line posts (Fig. 5). Set all line posts as described in the preceding steps.

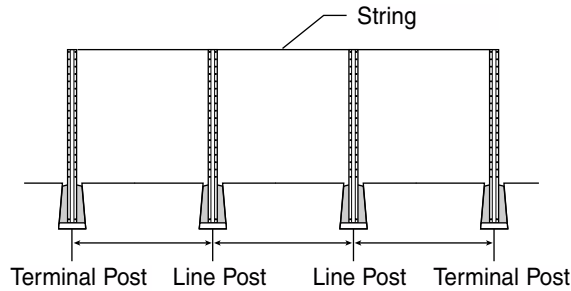


Figure 5

3 INSTALL RAILS

Once all posts are set, attach rails according to the selected fence style. Typical fence boards are positioned 2" above ground level and top rails installed 8" from the top of the boards. Bottom rails are attached 8" above the board bottom and middle rails centered between the top and bottom rails (Fig. 2).

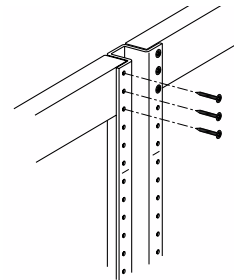


Figure 6

STEP 1

Determine where to attach rails. PostMaster posts have holes premeasured at 1" on center to make it easier to align rails at either end. For rail-adjustment references, use the debossed line up marks spaced 6" on center and starting 1/4" from the top of the post.

STEP 2

Fasten each rail-end using three #8 x 1-1/4" rail screws (Fig. 6).

NOTE: If the ground slopes, be sure to cut both rail-ends diagonally to allow a flush fit against the post.

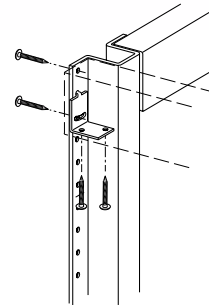


Figure 7
Top & Middle Rails

STEP 3

Attach rails to corner posts, using one postclip per rail-end that butts against the rail flange (Figs. 7 & 8). Screw one #8 x 1-1/4" rail screw through the flange and into the rail-end. Screw a second #8 x 1-1/4" rail screw through the flange and semi-circular postclip hole and into the rail end. Fasten the bottom edges of the top and middle rails to the postclip with two more #8 x 1-1/4" rail screws. For the bottom rail, position postclip above rail so it can be screwed to the rail's top edge.

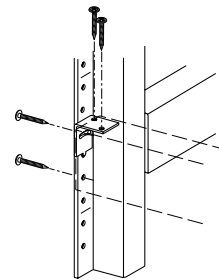


Figure 8
Bottom Rail
(Postclip reversed)

4

INSTALL POST COVERS

LINE POST COVER BOARD – 6 INCH

STEP 1

Install 6" cover boards *after* installing fence boards. Attach cover board by nailing into the rail on either side of the post (Fig. 9).

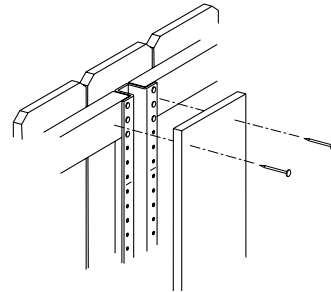


Figure 9

LINE POST COVER BOARD – 4 INCH

STEP 1

Install 4" cover boards *before* installing fence boards. Position cover board against backside of flanges and attach with ten #8 x 3/4" cover screws – five fastened into board through each flange (Fig. 10).

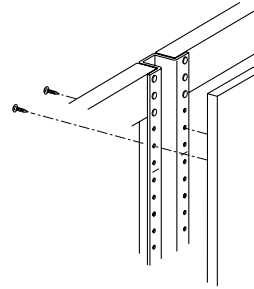


Figure 10

END POST COVER BOARD

STEP 1

Fasten a 2 x 2 vertically in rail pocket by nailing it through fence board. Attach cover board by nailing one side into 2 x 2 and the other side into fence rail (Fig. 11).

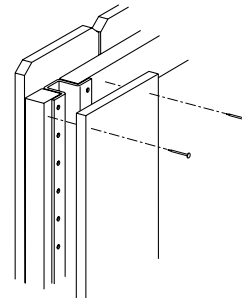


Figure 11

CORNER POST FACE BOARD – 6 INCH

STEP 1

Line up edge of fence board with flange edge. Attach fence board by fastening five #8 x 3/4" cover screws into fence board through flange in rail pocket (Fig. 12).

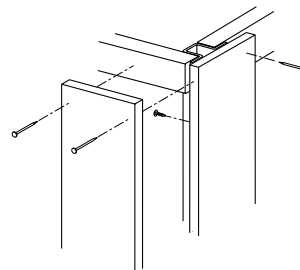


Figure 12

4 **INSTALL POST COVERS (continued)**

CORNER POST FACE BOARD – 4 INCH

STEP 1

Line up edge of fence board with flange edge. Attach fence board by fastening five #8 x 3/4" cover screws into flange, followed by five more screws into adjacent flange (Fig. 13).

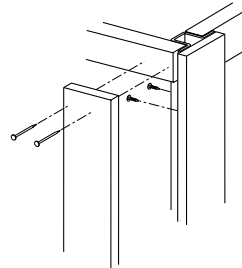
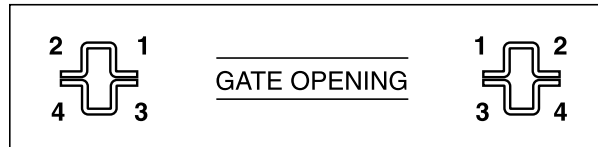


Figure 13

GATE POST COVER BOARD – SWING-OUT GATE

Use the numbering system below to identify the gate post pocket positions referenced in the following steps.



STEP 1

Attach a 2 x 2 in rail pocket #1 by fastening five #8 x 1-1/4" rail screws into it through flanges from rail pocket #3 (Fig. 14).

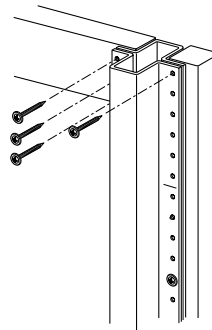


Figure 14

STEP 2

Diagonally attach a 2 x 2 in rail pocket #4 by fastening five #8 x 1-1/4" rail screws into it through flanges from rail pocket #2 (Fig. 15).

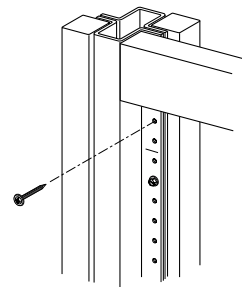


Figure 15

4

INSTALL POST COVERS (continued)

STEP 3

Attach a 2 x 2 to a cover board. Install the cover board so the 2 x 2 fits into rail pocket #3, and fasten the assembly in place by nailing into the 2 x 2 in rail pocket #4 (Fig. 16).

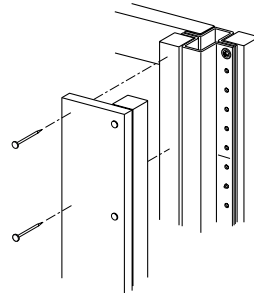


Figure 16

GATE POST COVER BOARD – SWING-IN GATE

STEP 1

Attach a 2 x 2 in rail pocket #1 by fastening five #8 x 1-1/4" rail screws into it through flanges from rail pocket #3 (Fig. 17).

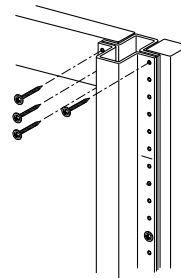


Figure 17

STEP 2

Drill holes for hanger bolt in hat section between rail pockets #3 and #4. The hanger bolt adjustment nuts will be installed against the hat section (Fig. 19).

STEP 3

Cut a 2 x 2 to appropriate lengths for rail pocket #4. Attach by fastening #8 x 1-1/4" rail screws into the 2 x 2 through flanges in rail pocket #2 (Fig. 18).

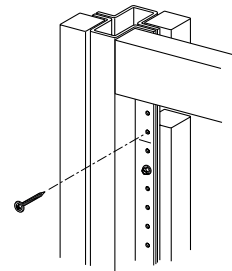


Figure 18

STEP 4

Cut a 2 x 2 to appropriate lengths for rail pocket #3 and nail to cover board. Install the assembly so 2 x 2 fits into rail pocket #3, and fasten by nailing through cover board into 2 x 2 in rail pocket #4 (Fig. 19).

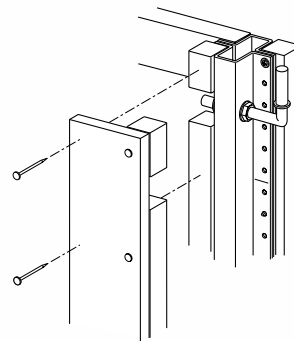


Figure 19

5

INSTALL FENCE BOARDS

STEP 1

Install all fence boards according to fence style.

6

INSTALL GATE HARDWARE

SWING-OUT GATE

OPTION 1

Use 8" ornamental strap hinge.

OPTION 2

Use 8" maxima strap hinge.

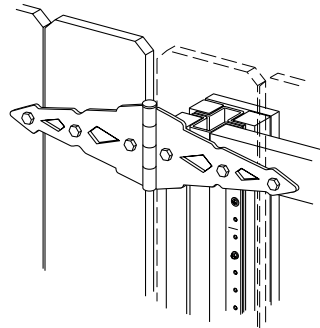


Figure 20

SWING-IN GATE

Use hanger bolt combined with 8" ornamental strap hinge.

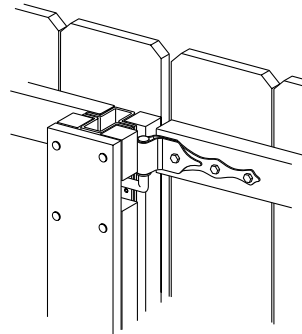


Figure 21

For more information, contact our
Customer Service Department:
1-888-MH-FENCE (toll-free)
4000 W Metropolitan Dr, Orange, CA 92868
e-mail: info@FenceOnline.com • www.FenceOnline.com



First Because They Last.™